



**Model Number**

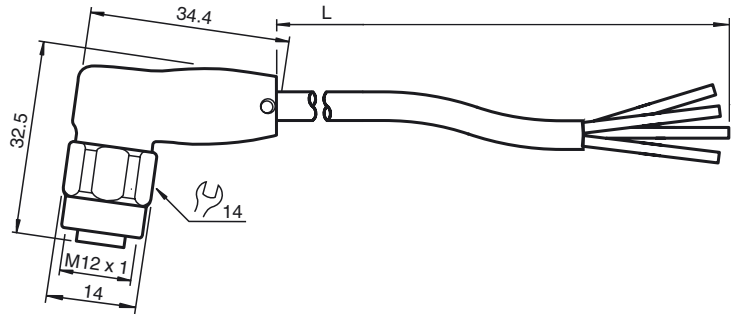
**V1-WV4A-10M-PP-W1**

Female cordset, M12, 4-pin, PP cable

**Features**

- Suitable for applications in the splash area in the food and beverage industry
- Certified by ECOLAB
- Resistant to all common acid and alkaline cleaning products and disinfectants
- Degree of protection IP67 / IP68 / IP69
- Suitable for drag chains
- Halogen-free (PVC-free)
- Materials used compliant with FDA

**Dimensions**



**Technical data**

**General specifications**

Number of pins 4

**Electrical specifications**

Operating voltage  $U_B$  max. 250 V AC/DC  
 Operating current  $I_B$  max. 4 A

**Ambient conditions**

Ambient temperature cable, flexing: -25 ... 105 °C (-13 ... 221 °F)  
 cable, fixed: -40 ... 105 °C (-40 ... 221 °F)

Pollution degree 3

**Mechanical specifications**

Contact elements spring-loaded contact socket  
 Degree of protection IP67 / IP68 / IP69

**Material**

Contacts CuSn  
 Contact surface Ni/Au  
 Body PP  
 Cable PP-EPDM  
 Slotted nut stainless steel V4A  
 Seal FKM  
 Core insulation PP  
 Temperature resistance Cold bending-resistant and cold impact-resistant up to -40 °C (-40 °F)

Cable extra-fine wire, flexible  
 Sheath diameter  $\varnothing$  4.7 mm  
 Bending radius > 10 x cable diameter, moving  
 > 5 x cable diameter, fixed

Color grey  
 Cores 4 x 0.34 mm<sup>2</sup>  
 Conductor construction 42 x 0.1 mm  $\varnothing$   
 Length L 10 m

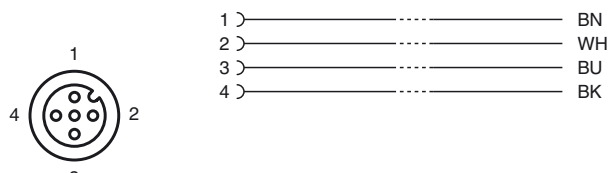
**Drag chain suitability**

Drag chain cycles  $\geq$  4000000  
 Motion velocity  $\leq$  3 m/s  
 Traverse distance 10 m  
 Acceleration  $\leq$  10 m/s<sup>2</sup>  
 Torsion cycles  $\geq$  4000000  
 Torsional stress  $\pm$  270 °/m  
 Tightening torque, cable gland 0.4 ... 0.6 Nm  
 Mating cycles  $\geq$  100

**Compliance with standards and directives**

Standard conformity  
 Degree of protection EN 60529  
 Standards IEC 61076-2-101

**Electrical connection**



ase date: 2017-09-27 10:05 Date of issue: 2017-11-23 294559\_eng.xml



Halogen-free	IEC 60754-1
Temperature resistance	DIN EN 60811-1-4
Material	FDA-compliant in accordance with FDA 21 CFR 177.2600

ase date: 2017-09-27 10:05 Date of issue: 2017-11-23 294559\_eng.xml