

## Repeater KFD0-CS-2.50

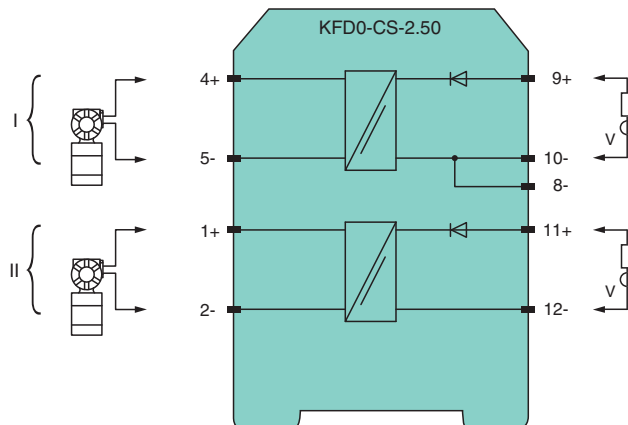
- 2-channel signal conditioner
- 24 V DC supply (loop powered)
- Current input/output 4 mA ... 20 mA
- transmitter power supply
- Accuracy 0.1 %
- Reverse polarity protection
- Up to SIL 2 acc. to IEC/EN 61508

# CE SIL2

### Function

This signal conditioner provides the galvanic isolation between field circuits and control circuits. The device can be used as a repeater or transmitter power supply for 2-wire transmitters. This device is loop powered. No additional power supply has to be connected. Use the technical data to verify that proper voltage is available to the field devices.

### Connection



### Technical Data

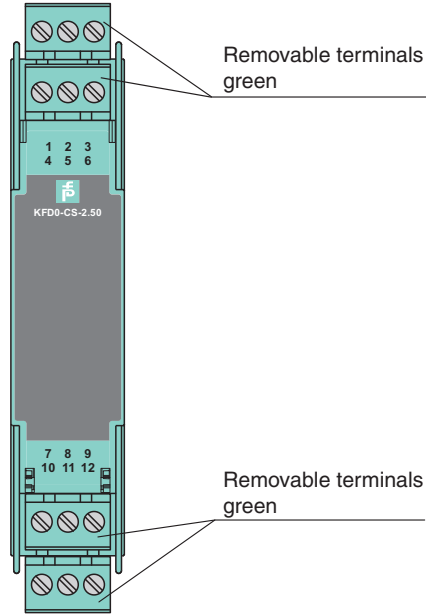
General specifications	
Signal type	Analog input/analog output
Functional safety related parameters	
Safety Integrity Level (SIL)	SIL 2
Supply	
Rated voltage	$U_r$ 10 ... 35 V DC , loop powered
Power dissipation	0.4 W
Control circuit	
Connection	terminals 12-, 11+; 8-, 10-, 9+
Voltage	10 ... 35 V DC
Current	4 ... 20 mA

## Technical Data

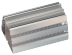
Power dissipation	< 150 mW per channel at 25 mA and $U < 26.1$ V < 400 mW per channel at 25 mA und $U > 26.1$ V
<b>Field circuit</b>	
Connection	terminals 1+, 2-; 4+, 5-
Voltage	$\geq 0.9 \times U_{in} - (0.23 \times \text{current in mA}) - 0.7$ for $10 \text{ V} < U_{in} < 26.1 \text{ V}$ $\geq 23 \text{ V} - (0.23 \times \text{current in mA})$ for $U_{in} > 26.1 \text{ V}$
Short-circuit current	max. 100 mA
Transfer current	max. 25 mA
<b>Transfer characteristics</b>	
Accuracy	0.1 %
Deviation	
After calibration	$U_{in} \geq 5 \text{ V} \pm 20 \mu\text{A}/U_{in} \leq 5 \text{ V} \pm 50 \mu\text{A}$ incl. calibration, linearity, hysteresis and output load fluctuations at the field side; at $20 \text{ }^\circ\text{C}$ ( $68 \text{ }^\circ\text{F}$ )
Influence of ambient temperature	$\leq \pm 2 \mu\text{A}/\text{K}$ at $U_{in} \leq 20 \text{ V}$ ; $\leq \pm 5 \mu\text{A}/\text{K}$ at $U_{in} > 20 \text{ V}$
Rise time	$\leq 5 \text{ ms}$ at $4 \dots 20 \text{ mA}$ and $U_{in} = \text{input voltage} < 26 \text{ V}$
<b>Galvanic isolation</b>	
Input/Output	basic insulation according to IEC 62103, rated insulation voltage $300 \text{ V}_{\text{eff}}$
<b>Indicators/settings</b>	
Labeling	space for labeling at the front
<b>Directive conformity</b>	
Electromagnetic compatibility	
Directive 2014/30/EU	EN 61326-1:2013 (industrial locations)
<b>Conformity</b>	
Electromagnetic compatibility	NE 21:2012 EN 61326-3-2:2008
Degree of protection	IEC 60529:2001
Protection against electrical shock	EN 61010-1:2010
<b>Ambient conditions</b>	
Ambient temperature	$-20 \dots 60 \text{ }^\circ\text{C}$ ( $-4 \dots 140 \text{ }^\circ\text{F}$ ) extended ambient temperature range up to $70 \text{ }^\circ\text{C}$ ( $158 \text{ }^\circ\text{F}$ ), refer to manual for necessary mounting conditions
<b>Mechanical specifications</b>	
Degree of protection	IP20
Connection	screw terminals
Mass	approx. 100 g
Dimensions	$20 \times 107 \times 115 \text{ mm}$ ( $0.8 \times 4.2 \times 4.5 \text{ inch}$ ) (W x H x D), housing type B1
Mounting	on 35 mm DIN mounting rail acc. to EN 60715:2001
<b>General information</b>	
Supplementary information	Observe the certificates, declarations of conformity, instruction manuals, and manuals where applicable. For information see <a href="http://www.pepperl-fuchs.com">www.pepperl-fuchs.com</a> .

## Assembly



Front view



## Matching System Components

	<p><b>K-DUCT-GY</b></p>	<p>Profile rail, wiring comb field side, gray</p>
---	-------------------------	---

## Accessories

	<p><b>KF-ST-5GN</b></p>	<p>Terminal block for KF modules, 3-pin screw terminal, green</p>
	<p><b>KF-CP</b></p>	<p>Red coding pins, packaging unit: 20 x 6</p>