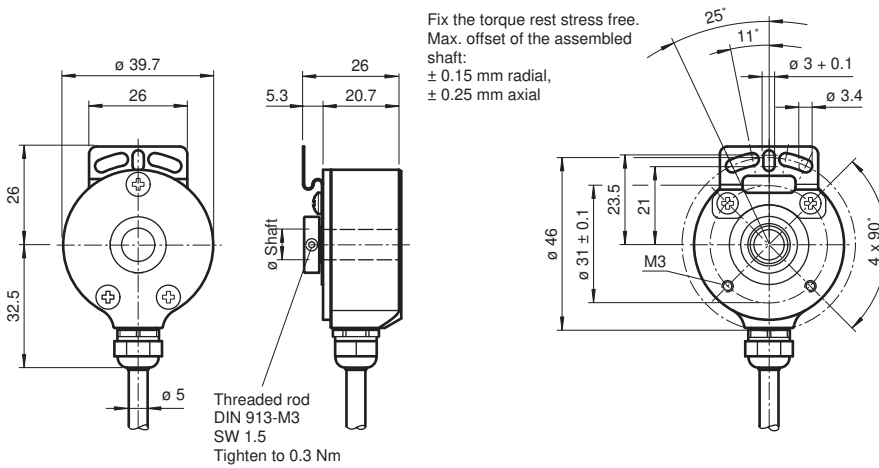


Incremental rotary encoder TH140N-YYAK2R6YN-00100

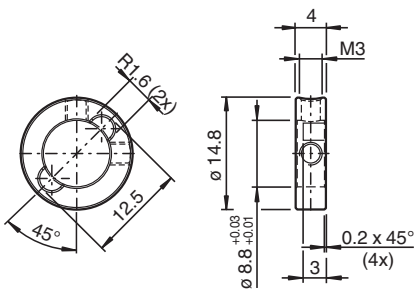
- Compact design
- 100 pulses
- Polarity reversal protected = Y
- Clamping ring with anti-twist protection = YY



Dimensions



YY



Technical Data

General specifications

Detection type	photoelectric sampling
Pulse count	100

Release date: 2024-03-27 Date of issue: 2024-03-27 Filename: 295011_eng.pdf

Technical Data

Electrical specifications

Operating voltage	U_B	4.75 ... 30 V DC Reverse polarity protection
No-load supply current	I_0	max. 55 mA

Output

Output type		push-pull, incremental or RS-422, incremental
Voltage drop	U_d	≤ 2.5 V (< 2.5 V)
Load current		max. per channel 30 mA , short-circuit protected (max. per channel 20 mA, conditionally short-circuit proof)
Output frequency		max. 100 kHz (max. 100 kHz)
Rise time		980 ns (225 ns)
De-energized delay	t_{off}	980 ns (225 ns)

Connection

Cable		$\varnothing 5$ mm, 8 x 0.08 mm ² , 2 m
-------	--	--

Standard conformity

Degree of protection		DIN EN 60529, IP54
Climatic testing		DIN EN 60068-2-3, no moisture condensation
Emitted interference		EN 61000-6-4:2007/A1:2011
Noise immunity		EN 61000-6-2:2005
Shock resistance		DIN EN 60068-2-27, 100 g, 6 ms
Vibration resistance		DIN EN 60068-2-6, 10 g, 10 ... 2000 Hz

Approvals and certificates

UL approval		cULus Listed, General Purpose, Class 2 Power Source
Maximum permissible ambient temperature		max. 60 °C (max. 140 °F)

Ambient conditions

Operating temperature		-10 ... 70 °C (14 ... 158 °F)
Storage temperature		-25 ... 85 °C (-13 ... 185 °F)

Mechanical specifications

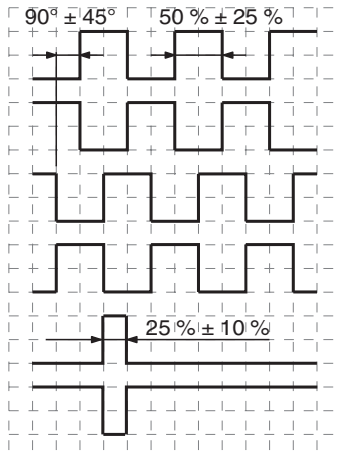
Material		
Housing		Aluminum
Flange		Aluminum
Shaft		Stainless steel
Mass		approx. 160 g
Rotational speed		max. 6000 min ⁻¹
Moment of inertia		≤ 5 gcm ²
Starting torque		≤ 1 Ncm
Dimensions		
Length		20.7 mm
Diameter		40 mm

Connection

Signal	Cable, 8-core
GND	White
+U _b	Brown
A	Green
B	Grey
\bar{A}	Yellow
\bar{B}	Pink
0	Blue
$\bar{0}$	Red
Screen	-

Operation

Signal outputs



↻ cw - with view onto the shaft

Release date: 2024-03-27 Date of issue: 2024-03-27 Filename: 295011_eng.pdf