

# Cable Glands, Plastic

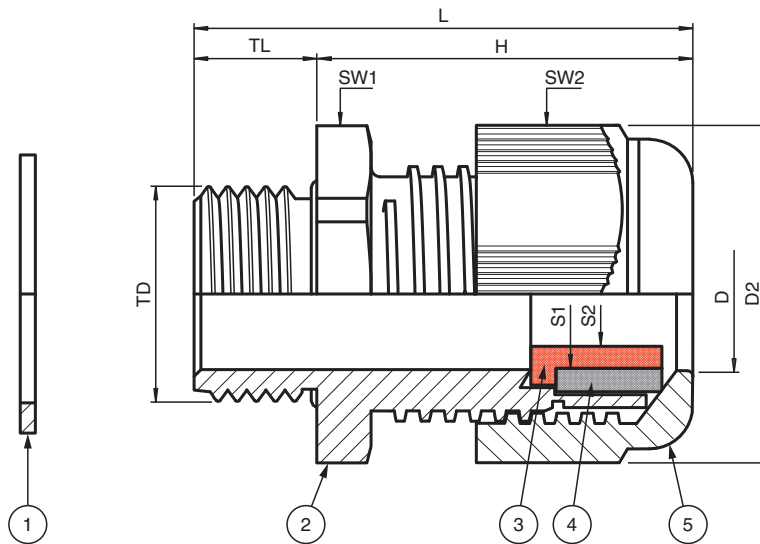
## CG.PIDS.M16.PA.C.10.K50



- For cables without armor
- Thread M16
- Thread length 10 mm
- Ex eb and Ex tb certified
- Blue marking for use with Ex i circuits
- High impact-resistant polyamide material
- Seal chloroprene
- Suitable for operation in Zone 1, Zone 2, Zone 21 and Zone 22
- Very large clamping range due to double sealing insert
- Full impact resistance of 7 J according to IEC/EN 60079-0 for the full range without limitations
- Packaging unit: 50 pieces, without accessories



### Dimensions



### Technical Data

#### Mechanical specifications

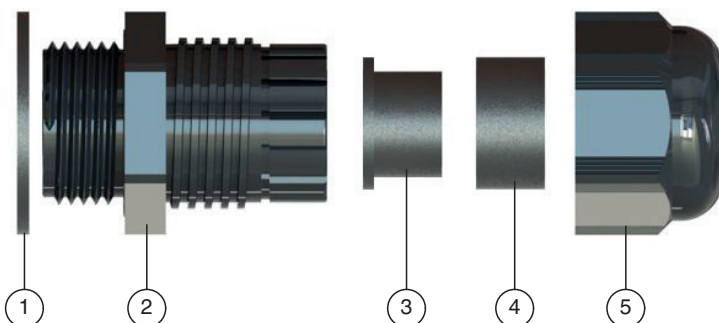
Cable type	non-armored cables
Clamping range (D)	4 ... 10 mm
Seal combination S1	6 ... 10 mm
Seal combination S1+S2	4 ... 6 mm
Thread type	metric ISO pitch 1.5 mm
Thread size (TD)	M16
Degree of protection	IP66 / IP68

Release date: 2025-04-08 Date of issue: 2025-04-08 Filename: 295535\_eng.pdf

## Technical Data

<b>Material</b>	
Endcaps	blue
Finish	inherent color black, cap nut blue
Cable gland	high impact-resistant polyamide
Washer gasket	flat chloroprene gasket
Seal insert	chloroprene
<b>Mass</b>	
Individual component	approx. 12.6 g
Packing unit	approx. 630 g
<b>Dimensions</b>	
Width across corners (D2)	25 mm
Diameter thru-hole (DT)	16 ... 16.2 mm
Length outside enclosure (H)	32.2 mm
Width across flats (SW1)	22 mm
Width across flats (SW2)	22 mm
Thread length (TL)	10 mm
Total length (L)	42.2 mm
<b>Tightening torque</b>	
Nut torque at enclosure (SW1)	1.5 Nm
Nut torque 2 with seal S1 (SW2)	2.5 Nm
Nut torque 2 with seals S1+S2 (SW2)	2.5 Nm
<b>Ambient conditions</b>	
Ambient temperature	-40 ... 70 °C (-40 ... 158 °F)
<b>Data for application in connection with hazardous areas</b>	
EU-type examination certificate	IMQ 15 ATEX 006X
Marking	Ⓜ II 2 GD Ex eb IIC Gb Ex tb IIC Db
<b>International approvals</b>	
IECEX approval	IECEX IMQ 15.0001X
<b>Conformity</b>	
Degree of protection	EN 60529
<b>General information</b>	
Delivery quantity	50
Scope of delivery	Cable glands Brief instructions (1 copy)
Supplementary information	EC-Type Examination Certificate, Statement of Conformity, Declaration of Conformity, Attestation of Conformity and instructions have to be observed where applicable. For information see <a href="http://www.pepperl-fuchs.com">www.pepperl-fuchs.com</a> .
<b>Accessories</b>	
Sealing plugs	BP.PDS.M16-M20S.PA

## Assembly



**Legend**

1	Flat gasket
2	Gland body basis
3	Seal insert S2
4	Seal insert S1
5	Cap nut
D	Clamping range, cable sheath diameter
D2	Width across corners
H	Length outside enclosure
L	Total length
S*	Clamping range, seal insert combinations
SW*	Width across flats
TD	Thread size
TL	Thread length