

Control Unit Ex e, Panel Mount, Mushroom Pushbutton

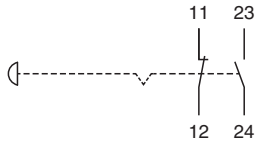
PMP.JR.C.11

- Emergency stop mushroom button 39 mm, red, key release - 1x NO / 1x NC
- Ex de and Ex tb certified
- Full equipment certified
- Polyamide housing for panel mount
- Installation in Zone 1, Zone 2, Zone 21 and Zone 22
- Cable Gland M20 integrated in protective cover
- Degree of protection IP66

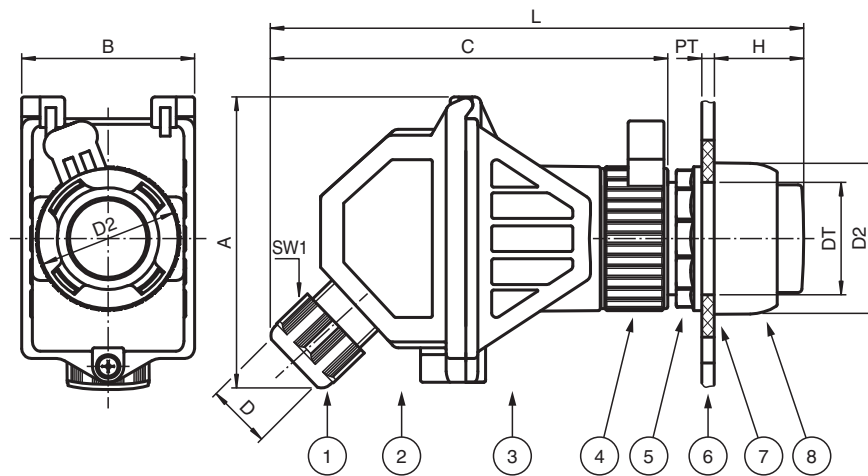


Connection

| | | |
|---|----|----|
| | 11 | 23 |
| 0 | X | |
| I | | X |
| | 12 | 24 |



Dimensions



Release date: 2023-04-17 Date of issue: 2023-04-17 Filename: 297346_eng.pdf

Dimensions

Details see data table

| Legend | |
|--------|---------------------------------------|
| 1 | Cable gland |
| 2 | Protective cover |
| 3 | Contact module |
| 4 | Bayonet catch |
| 5 | Locknut |
| 6 | Panel / enclosure wall |
| 7 | Flat gasket |
| 8 | Actuator head |
| | |
| A | Height |
| B | Width |
| C | Depth |
| D | Clamping range, cable sheath diameter |
| DT | Diameter thru-hole |
| D2 | Outer diameter actuator head |
| H | Length outside enclosure |
| L | Total length |
| PT | Panel / enclosure wall thickness |

Technical Data

Electrical specifications

| | |
|-----------------------|--|
| Operating voltage | 250 V max. |
| Operating current | 16 A max. |
| Terminal capacity | 2.5 mm ² |
| Terminal torque | 0.8 Nm |
| Function | mushroom button |
| Color | red |
| Contact configuration | 1x NO / 1x NC all NC contacts have a direct opening action for emergency stop functions |
| Usage category | AC12 - 12 ... 250 V AC - 16 A AC15 - 12 ... 250 V AC - 10 A DC13 - 12 ... 110 V DC - 1 A DC13 - 12 ... 24 V DC - 1A |
| Number of poles | 2 |
| Operator action | latching , key release |
| Lockable | yes |

Mechanical specifications

| | |
|-------------------------|--|
| Cable type | non-armored cables |
| Clamping range (D) | 5.5 ... 13 mm (D) |
| Covering | Protective cover fully detachable |
| Cover fixing | Phillips head screw |
| Degree of protection | IP66 |
| Cable entry | |
| Number of cable entries | 1x M20 cable gland in protective cover |
| Material | |
| Housing | Polyamide (PA) |
| Finish | inherent color black |
| Seal | silicone |
| Washer gasket | silicone |

Release date: 2023-04-17 Date of issue: 2023-04-17 Filename: 297346_eng.pdf

Technical Data

| | |
|--|--|
| Mass | 150 g max. |
| Dimensions | |
| Height (A) | 77 mm (A) |
| Width (B) | 44 mm (B) |
| Depth (C) | 105 mm (C) |
| Actuator head diameter (D2) | 39 mm (D2) |
| Panel wall thickness (PT) | 1 ... 6 mm (PT) |
| Diameter thru-hole (DT) | 30.6 mm (DT) |
| Length outside enclosure (H) | 41.6 mm (H) |
| Width across flats (SW1) | 24 mm (SW1) |
| Total length (L) | 154.1 mm (L) |
| Tightening torque | |
| Nut torque at enclosure (SW1) | 2 Nm (SW1) |
| Mounting | via actuator head |
| Ambient conditions | |
| Ambient temperature | -40 ... 50 °C (-40 ... 122 °F) |
| Data for application in connection with hazardous areas | |
| EU-type examination certificate | CML 16 ATEX 3106X |
| Marking | ⊕ II 2 GD Ex de IIC T6 Gb Ex tb IIIC T80 °C Db |
| International approvals | |
| IECEX approval | IECEX CML 16.0046X |
| UKCA approval | CML 21 UKEX 21275X |
| Conformity | |
| Degree of protection | EN 60529 |
| Usage category | IEC / EN 60947 |
| CE marking | 0080 or 0102, see type label |
| General information | |
| Supplementary information | EC-Type Examination Certificate, Statement of Conformity, Declaration of Conformity, Attestation of Conformity and instructions have to be observed where applicable. For information see www.pepperl-fuchs.com . |