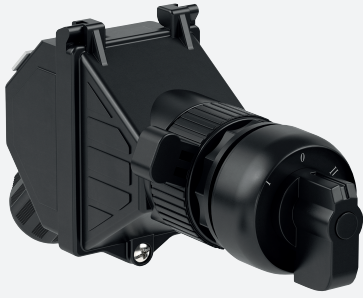


# Control Unit Ex e, Panel Mount, Control Switch

## PMS.N8.C.20

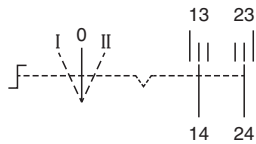


- Small control switch, 3 position with center OFF - 2x NO - labeling 'I - 0 - II'
- Ex de and Ex tb certified
- Full equipment certified
- Polyamide housing for panel mount
- Installation in Zone 1, Zone 2, Zone 21 and Zone 22
- Cable Gland M20 integrated in protective cover
- Degree of protection IP66

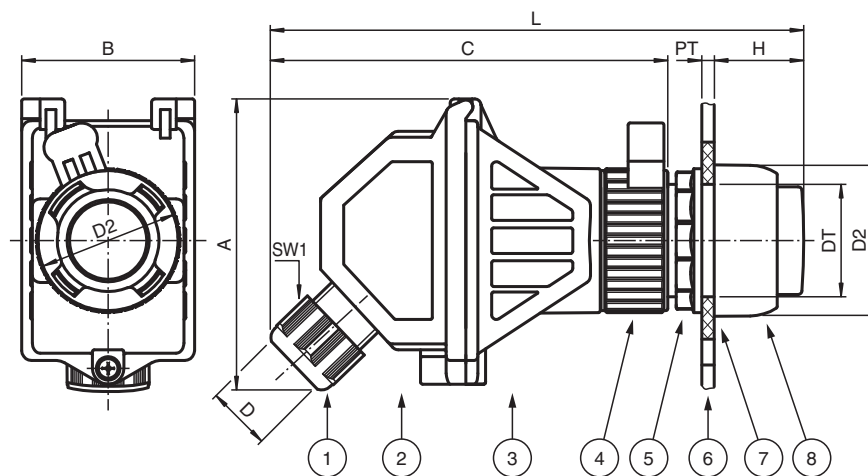


### Connection

	13	23
I	X	
0		
II		X
	14	24



### Dimensions



Release date: 2023-04-17 Date of issue: 2023-04-17 Filename: 297357\_eng.pdf

## Dimensions

Details see data table

Legend	
1	Cable gland
2	Protective cover
3	Contact module
4	Bayonet catch
5	Locknut
6	Panel / enclosure wall
7	Flat gasket
8	Actuator head
A	Height
B	Width
C	Depth
D	Clamping range, cable sheath diameter
DT	Diameter thru-hole
D2	Outer diameter actuator head
H	Length outside enclosure
L	Total length
PT	Panel / enclosure wall thickness

## Technical Data

### Electrical specifications

Operating voltage	250 V max.
Operating current	16 A max.
Terminal capacity	2x 2.5 mm <sup>2</sup>
Terminal torque	0.8 Nm
Function	control switch, small
Color	black
Contact configuration	2x NO
Switching configuration	3 position changeover with center OFF
Usage category	AC12 - 12 ... 250 V AC - 16 A AC15 - 12 ... 250 V AC - 10 A DC13 - 12 ... 110 V DC - 1 A DC13 - 12 ... 24 V DC - 1A
Number of poles	2
Operator action	engage - engage - engage
Labeling	I - 0 - II

### Mechanical specifications

Cable type	non-armored cables
Clamping range (D)	5.5 ... 13 mm
Covering	Protective cover fully detachable
Cover fixing	Phillips head screw
Degree of protection	IP66
Cable entry	
Number of cable entries	1x M20 cable gland in protective cover
Material	
Housing	Polyamide (PA)
Finish	inherent color black
Seal	silicone

Release date: 2023-04-17 Date of issue: 2023-04-17 Filename: 297357\_eng.pdf

## Technical Data

Washer gasket	silicone
Mass	150 g max.
<b>Dimensions</b>	
Height (A)	77 mm
Width (B)	44 mm
Depth (C)	105 mm
Actuator head diameter (D2)	39 mm
Panel wall thickness (PT)	1 ... 6 mm
Diameter thru-hole (DT)	30.6 mm
Length outside enclosure (H)	30.6 mm
Width across flats (SW1)	24 mm
Total length (L)	143.1 mm
<b>Tightening torque</b>	
Nut torque at enclosure (SW1)	2 Nm
Mounting	via actuator head
<b>Ambient conditions</b>	
Ambient temperature	-40 ... 50 °C (-40 ... 122 °F)
<b>Data for application in connection with hazardous areas</b>	
EU-type examination certificate	CML 16 ATEX 3106X
Marking	Ⓢ II 2 GD Ex de IIC T6 Gb Ex tb IIIC T80 °C Db
<b>International approvals</b>	
IECEX approval	IECEX CML 16.0046X
UKCA approval	CML 21 UKEX 21275X
<b>Conformity</b>	
Degree of protection	EN 60529
Usage category	IEC / EN 60947
CE marking	0080 or 0102, see type label
<b>General information</b>	
Supplementary information	EC-Type Examination Certificate, Statement of Conformity, Declaration of Conformity, Attestation of Conformity and instructions have to be observed where applicable. For information see <a href="http://www.pepperl-fuchs.com">www.pepperl-fuchs.com</a> .