



Inductive power clamp sensor

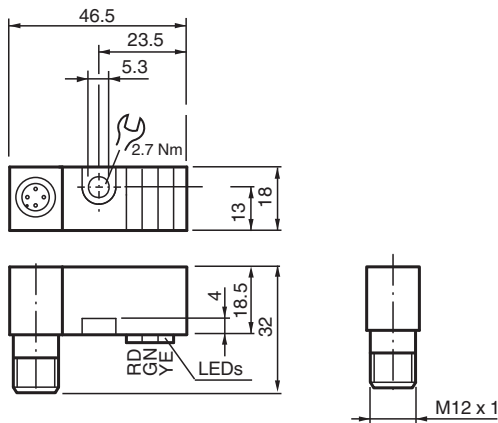
NBxx-F58E1x3-E8-V1

- Technical data are only valid if satellite unit is connected
- Completely halogen and silicon free
- Extremely bright triple luminous band indication
- Orientation of the coding of the connector plug to position 1

Amplifier unit



Dimensions



Technical Data

General specifications

Switching function	2 x normally open (NO)	
Output type	PNP	
Output polarity	DC	
Output type	4-wire	

Nominal ratings

Operating voltage	U_B	10 ... 30 V
Switching frequency	f	0 ... 100 Hz
Reverse polarity protection	reverse polarity protected	
Short-circuit protection	pulsing	
Voltage drop	U_d	≤ 3 V
Rated insulation voltage	U_{BIS}	60 V
Operating current	I_L	0 ... 100 mA
Off-state current	I_r	0 ... 0.5 mA typ. 0.1 μ A at 25 °C
No-load supply current	I_o	≤ 15 mA
Constant magnetic field	B	100 mT
Alternating magnetic field	B	100 mT
Tuning-out	typically 1 s	

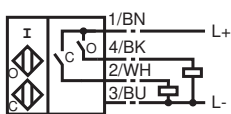
Release date: 2025-05-21 Date of issue: 2025-05-21 Filename: 297910_eng.pdf

Technical Data

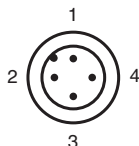
Operating voltage indicator	LED green
Switching state indicator	Switching state "closed" = LED red (S2) switching state "open" = LED yellow (S1)
Functional safety related parameters	
MTTF _d	1000 a
Mission Time (T _M)	20 a
Diagnostic Coverage (DC)	0 %
Compliance with standards and directives	
Standard conformity	
Standards	EN IEC 60947-5-2
Approvals and certificates	
UL approval	cULus Listed, General Purpose
CCC approval	CCC approval / marking not required for products rated ≤36 V
Ambient conditions	
Ambient temperature	-25 ... 50 °C (-13 ... 122 °F)
Storage temperature	-40 ... 85 °C (-40 ... 185 °F)
Mechanical specifications	
Connection type	Connector plug
Housing material	PA66
Degree of protection	IP65
Protection class	II
Connector	
Threading	M12 x 1
Number of pins	4
Dimensions	
Height	18.5 mm
Width	18 mm
Length	46.5 mm
Note	only for use with satellite unit NBN2-F58xx... family

Connection

E8



Connection Assignment



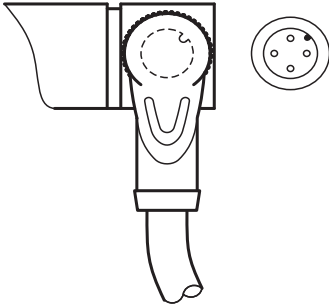
Connection Assignment

Wire colors in accordance with EN 60947-5-2

1	BN	(brown)
2	WH	(white)
3	BU	(blue)
4	BK	(black)

Assembly

Orientation of the female cordset in angled design



Additional Information

Safety instructions

Laws and/or regulations and standards governing the use or intended usage goal must be observed.

No changes can be made to the device.
Repairs are not possible.

Protection class II (protective isolation) is only reached under the stated mounting conditions.