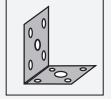




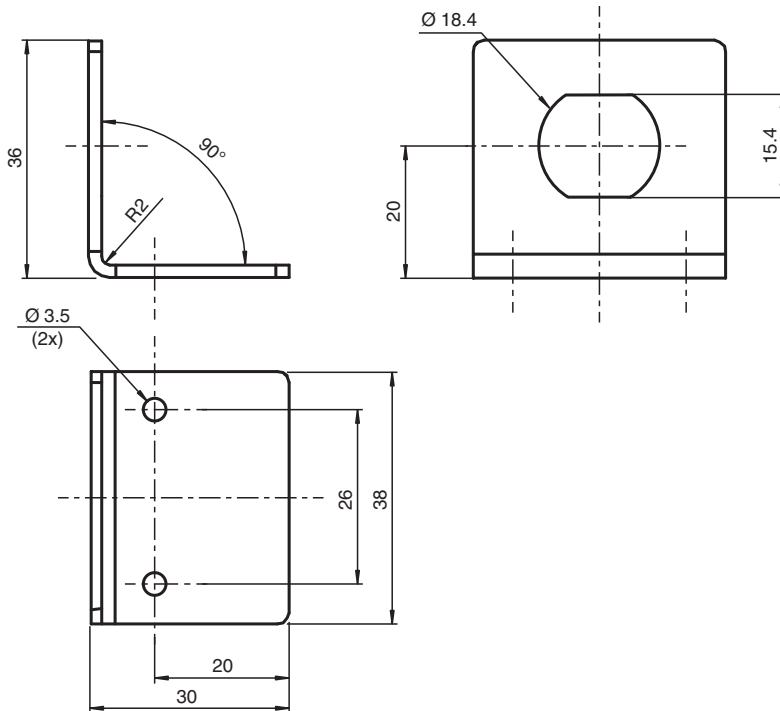
Mounting aid OMH-R103-01

- Mounting bracket
- Simple and fast mounting



Mounting bracket

Dimensions



Technical Data

Mechanical specifications

Material

Stainless steel

Technical Data

Mass	approx. 33 g
Suitable series	
Series	R103