



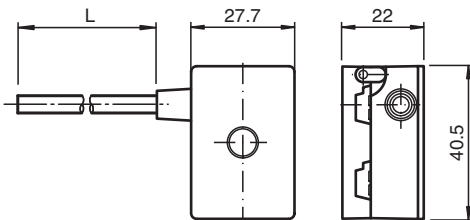
AS-Interface splitter box VAZ-T1-FK-G10-5M-PUR

- One piece housing
- Simple and fast mounting
- Gold-plated and machined contacts
- Oil- and abrasion-resistant PUR cable
- Immunity to vibration
- Degree of protection IP68 / IP69K
- Halogen-free

G10 junction block, AS-Interface to open cable end



Dimensions



Technical Data

General specifications

Construction type	Open cable end AS-Interface flat cable terminals
-------------------	---

Electrical specifications

Rated operating voltage	U_e	≤ 60 V PELV
Rated operating current	I_e	≤ 4 A
Protection class		III
Surge protection		overvoltage category III

Compliance with standards and directives

Standard conformity	
Degree of protection	EN 60529:2000

Approvals and certificates

UL approval	cULus Listed, Type 1 enclosure
Application	for use in NFPA 79 applications
Maximum permissible operating voltage	max. 32 V
Maximum permissible operating current	max. 3 A
Maximum permissible ambient temperature	max. 55 °C (max. 131 °F)
UL File Number	E223772

Ambient conditions

Ambient temperature	-25 ... 75 °C (-13 ... 167 °F)
Storage temperature	-25 ... 85 °C (-13 ... 185 °F)
Pollution degree	3

Mechanical specifications

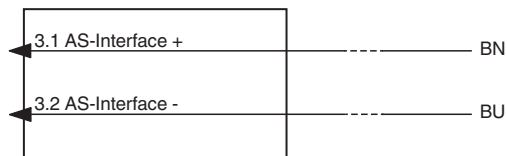
Degree of protection	IP67 IP67 / IP68 / IP69K with flat cable VAZ-FK-S-*
----------------------	--

Release date: 2024-12-12 Date of issue: 2024-12-12 Filename: 301174_eng.pdf

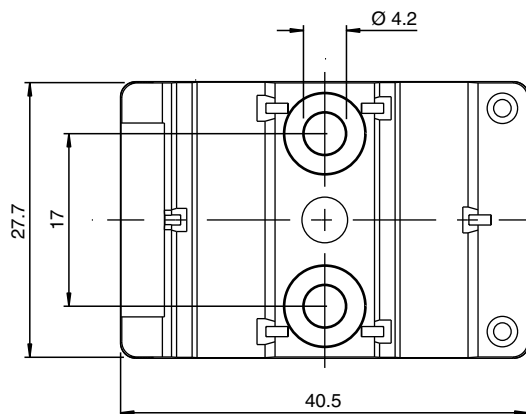
Technical Data

Connection	Flat cable AS-Interface: cable piercing method Round cable	
Material		
Contacts	CuSn / Au	
Housing	PBT PC	
Cable	PUR	
Mounting screw	Stainless steel 1.4305 / AISI 303	
Cable		
Sheath diameter	Ø4,3 mm	
Color	black	
Cores	2 x 0.5 mm ²	
Length	L	5 m
Mass	100 g	
Tightening torque, fastening screws	1.65 Nm	
Dimensions		
Height	22 mm	
Width	27.7 mm	
Length	40.5 mm	
Note	The unused flat cable connector is closed with a seal.	

Connection



Mounting



You may screw the device onto a level mounting surface using two M4 attachment screws. The attachment screws are not included.