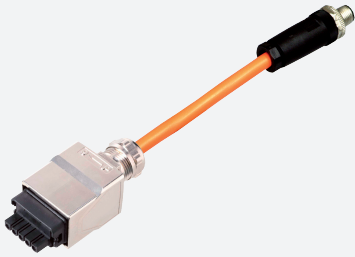


Connection cable

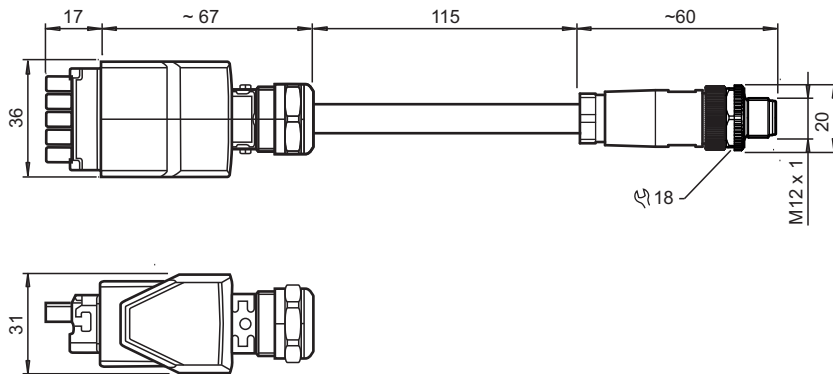
ICZ-AIDA3-MSTB-0,2M-PUR-V1-G

■ Lockable



Connection cable MSTB to M12 connector

Dimensions



Technical Data

General specifications		
Number of pins		2
Electrical specifications		
Operating current	I_B	max. 4 A
Nominal voltage		24 V
Ambient conditions		
Ambient temperature		-25 ... 70 °C (-13 ... 158 °F)
Mechanical specifications		
Degree of protection		IP65
Connection		5-pin Combicon socket on 4-pin M12 connector
Material		
Contacts		CuZn
Contact surface		CuSnZn
Housing		Zinc die-casting, nickel-plated
Connector		CuZn
Body		PA

Release date: 2020-03-24 Date of issue: 2020-03-27 Filename: 303083_eng.pdf

Technical Data

Cable	
Sheath diameter	7.8 mm
Color	orange
Cores	2 x 1.5 mm ²
Mass	140 g

Connection

