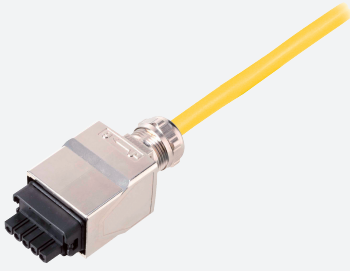


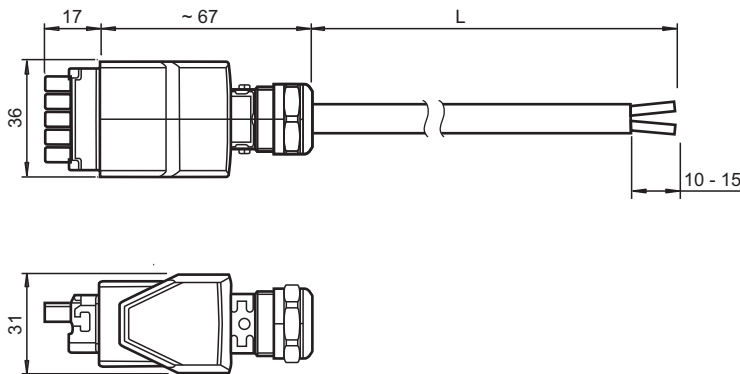
Connection cable ICZ-AIDA3-MSTB-5M-PUR

■ Lockable



Connection cable MSTB to cable tail

Dimensions



Technical Data

General specifications		
Number of pins		2
Electrical specifications		
Rated current	I_r	16 A
Nominal voltage		24 V
Ambient conditions		
Ambient temperature		-40 ... 70 °C (-40 ... 158 °F)
Mechanical specifications		
Degree of protection		IP65
Connection		5-pin Combicon socket to open cable end
Material		
Housing		Zinc die-casting, nickel-plated
Core insulation		TPE
Cable		
Sheath diameter		10 mm
Bending radius		> 10 x cable diameter, moving > 4 x cable diameter, fixed

Release date: 2020-03-24 Date of issue: 2020-03-27 Filename: 303084_eng.pdf

Technical Data

Color		yellow (RAL 1016)
Cores		2 x 2.5 mm ²
Length	L	5 m

Connection

