

Adapter plate

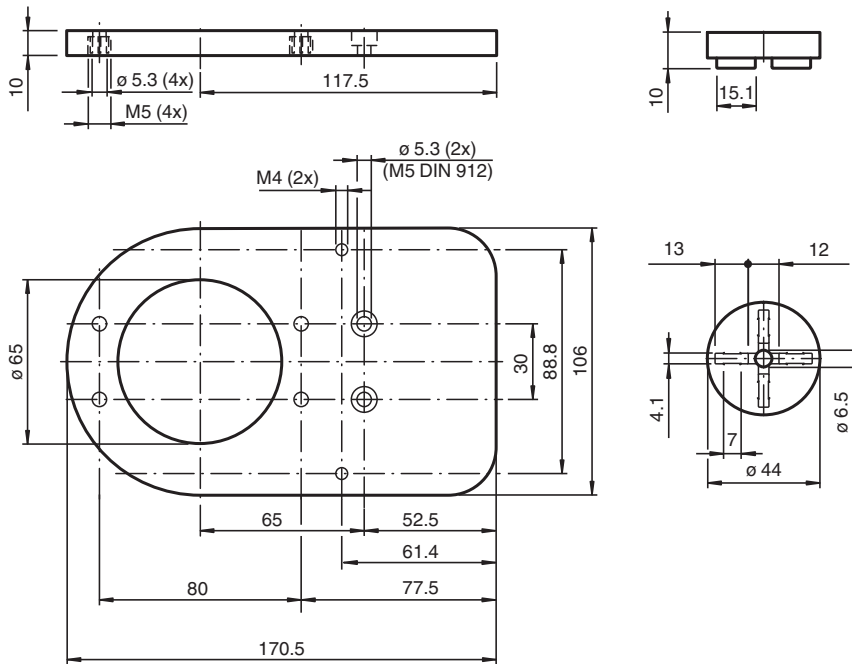
MH-F31K-02



- Adapter plate for mounting the F31/F31K on a small mounting surface with a hole pattern measuring 30 x 80 mm
- Flexible sensor mounting via thru-holes or using mounting nuts

Adapter plate

Dimensions



Technical Data

Standard conformity

Surface resistance	IEC 60093
--------------------	-----------

Mechanical specifications

Mounting hole pattern	30 x 80 mm and 30 x 130 mm Inserted M5 mounting nuts can be removed
-----------------------	--

Material	PA, black electrically conductive
----------	--------------------------------------

Surface resistance	$< 10^9 \Omega$
--------------------	-----------------

Spacer disk	PA (1 unit, 10 mm strong)
-------------	---------------------------

Technical Data

Mounting screw	stainless steel socket cap head screws DIN 912 For F31: 2 x M5 x 20 For F31K: 2 x M5 x 25 For MH-F31K: 2 x M5 x 16 For BT65A with spacer: 1 x M6 x 35 for BT65-F31: 2 x M5 x 25
Mounting nut	4 x M5