

# Inductive sensor

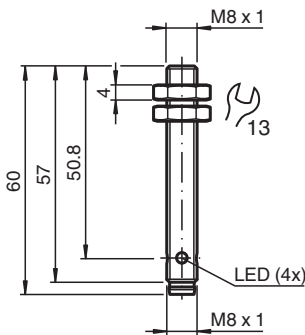
## NEB3-8GM60-E2-V3-Y100001



- Sensing range adjusted to sintered bronze
- Increased operating distance
- Extended temperature range  
-40 ... +85 °C



### Dimensions



### Technical Data

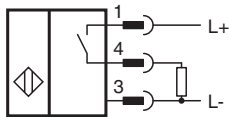
| General specifications       |       |  |
|------------------------------|-------|--|
| Switching function           |       | Normally open (NO)   |
| Output type                  |       | PNP  |
| Rated operating distance     | $s_n$ | 3.5 mm<br>switching distance for sinter bronze customer target min. 2.2 mm |
| Installation                 |       | flush  |
| Output polarity              |       | DC   |
| Assured operating distance   | $s_a$ | 0 ... 2.84 mm  |
| Actuating element            |       | mild steel, e. g. 1.0037, SR235JR (formerly St37-2)<br>8 mm x 8 mm x 1 mm  |
| Reduction factor $r_{Al}$    |       | 0.5  |
| Reduction factor $r_{Cu}$    |       | 0.4  |
| Reduction factor $r_{304}$   |       | 0.75   |
| Reduction factor $r_{Brass}$ |       | 0.5  |
| Output type                  |       | 3-wire   |
| Nominal ratings              |       |  |
| Operating voltage            | $U_B$ | 5 ... 30 V   |
| Switching frequency          | $f$   | 0 ... 3500 Hz  |
| Hysteresis                   | $H$   | typ. 5%  |
| Reverse polarity protection  |       | reverse polarity protected   |
| Short-circuit protection     |       | pulsing  |

Release date: 2024-05-28 Date of issue: 2024-06-01 Filename: 304615-100001\_eng.pdf

## Technical Data

|   |       |  |
|---|-------|--|
| Voltage drop                                    | $U_d$ | $\leq 1.5$ V   |
| Operating current                               | $I_L$ | 0 ... 100 mA   |
| Off-state current                               | $I_r$ | 0 ... 0.2 mA   |
| No-load supply current                          | $I_0$ | $\leq 10$ mA   |
| Time delay before availability                  | $t_v$ | $\leq 100$ ms  |
| Switching state indicator                       |       | Multihole-LED, yellow  |
| <b>Functional safety related parameters</b>     |       |  |
| MTTF <sub>d</sub>                               |       | 1926 a   |
| Mission Time (T <sub>M</sub> )                  |       | 20 a   |
| Diagnostic Coverage (DC)                        |       | 0 %  |
| <b>Compliance with standards and directives</b> |       |  |
| Standard conformity                             |       |  |
| Standards                                       |       | EN IEC 60947-5-2   |
| <b>Approvals and certificates</b>               |       |  |
| CCC approval                                    |       | CCC approval / marking not required for products rated $\leq 36$ V |
| <b>Ambient conditions</b>                       |       |  |
| Ambient temperature                             |       | -40 ... 85 °C (-40 ... 185 °F)                                     |
| Storage temperature                             |       | -40 ... 85 °C (-40 ... 185 °F)                                     |
| <b>Mechanical specifications</b>                |       |  |
| Connection type                                 |       | Connector plug M8 x 1 , 3-pin                                      |
| Housing material                                |       | brass, nickel-plated   |
| Sensing face                                    |       | LCP  |
| Degree of protection                            |       | IP65 / IP66 / IP67   |
| Dimensions                                      |       |  |
| Length  |       | 60 mm  |
| Diameter  |       | 8 mm   |
| <b>General information</b>                      |       |  |
| Scope of delivery                               |       | 2 hex nuts included  |

## Connection



## Connection Assignment



## Connection Assignment

Wire colors in accordance with EN 60947-5-2

|   |  |    |         |
|---|--|----|---------|
| 1 |  | BN | (brown) |
| 3 |  | BU | (blue)  |
| 4 |  | BK | (black) |