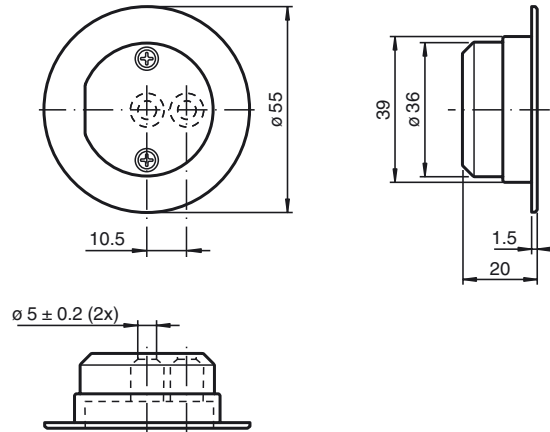




Dimensions



Model Number

PGV-DMC-AB

Data Matrix control code for PGV system

Features

- High chemical resistance
- Low weight
- High temperature resistance
- Screw mounting for simple installation
- Abrasion-resistant laser inscription

Accessories

PGV-DMC-CP

Data Matrix control code for PGV system

Technical data

General specifications

Number interval 1 ... 99999 = Control code number (see Order Information)

Ambient conditions

Operating temperature -30 ... 85 °C (-22 ... 185 °F)

Storage temperature -30 ... 85 °C (-22 ... 185 °F)

Environmental resistance UV radiation
Humidity

Chemical resistance Oils
Grease
Fuels
Weak acids

Mechanical specifications

Material PC/ABS , Zinc plated steel

Note Contains second identical Data Matrix control code that can be exchanged as necessary.