

Sensor adapter

CP-ADP-MS-5/16-M18 5pcs

- Suitable for 5/16" flexible metal conduit

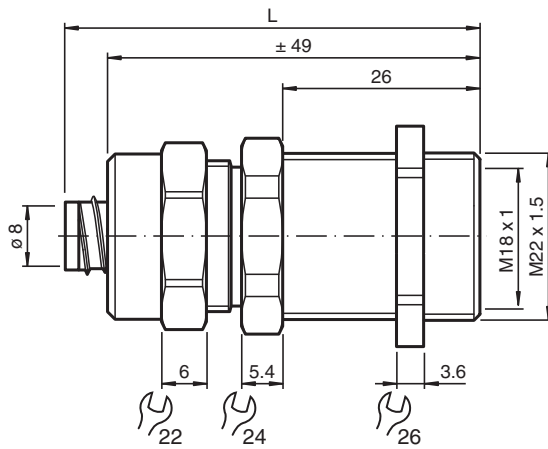


Sensor adapter for M18 sensors and 5/16" flexible metal conduit

Function

The sensor is screwed into the internal thread of the sensor adapter. The sensor adapter is used in conjunction with a suitable flexible conduit and a suitable cable gland to form a cable protection system for sensors. The purpose of this system is to protect the sensor wiring in harsh environments.

Dimensions



Technical Data

Mechanical specifications

External thread	
Thread type	metric
Thread size	M22 x 1.5
Internal thread	
Thread type	metric
Thread size	M18 x 1
Material	
Screwed connection	brass, nickel-plated
Slotted nut	brass
Clamping ring	nickel-plated brass
Mass	62 g




Release date: 2020-06-30 Date of issue: 2020-06-30 Filename: 307495_eng.pdf

Technical Data

General information

Scope of delivery	5 item(s)
Supplementary information	observe mounting instructions

Matching system components

	CP-CGL-MS-5/16-M16 5pcs	Cable gland M16 for cable diameter 4 ... 6.8 mm and 5/16" flexible metal conduit
	CP-CGL-MS-5/16-M20 5pcs	Cable gland M20 for cable diameter 4 ... 6.8 mm and 5/16" flexible metal conduit
	CP-CDT-MS-5/16-10M	5/16" flexible metal conduit 10 m