

Cable gland

CP-CGL-MS-1/4-M12 5pcs

- Suitable for 1/4" flexible metal conduit

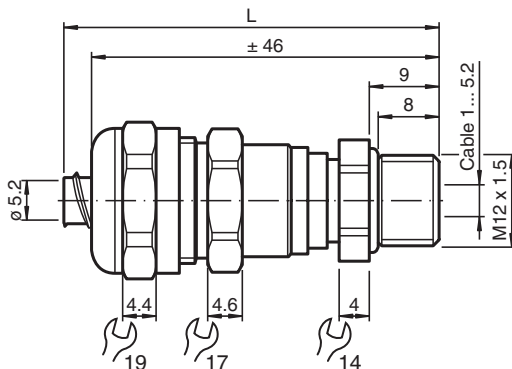


Cable gland M12 for cable diameter 1 ... 5.2 mm and 1/4" flexible metal conduit

Function

The cable gland is used in conjunction with a suitable flexible conduit and a suitable sensor adapter to form a cable protection system for sensors. The purpose of this system is to protect the sensor wiring in harsh environments.

Dimensions



Technical Data





Mechanical specifications

Clamping range (D)	
Seal insert	outer seal: for cable diameter 4 ... 5.2 mm outer seal + inner seal: for cable diameter 1 ... 4 mm
Thread type	metric
Thread size	M12 x 1.5
Degree of protection	IP65
Material	
Cable gland	brass, nickel-plated
Seal	Seal two-piece , synthetic rubber EDPM V0
Clamping ring	brass, nickel-plated
O-Ring	NBR

Technical Data

Mass	35 g
General information	
Supplementary information	observe mounting instructions

Matching system components

	CP-CDT-MS-1/4-10M	1/4" flexible metal conduit 10 m
	CP-ADP-MS-1/4-M8 5pcs	Sensor adapter for M8 sensors and 1/4" flexible metal conduit
	CP-ADP-MS-1/4-M12 5pcs	Sensor adapter for M12 sensors and 1/4" flexible metal conduit
	CP-ADP-MS-1/4-M14 5pcs	Sensor adapter for M14 sensors and 1/4" flexible metal conduit