

Cable gland

CP-CGL-SLT-5/16-M16 5pcs

- Suitable for 5/16" flexible coated conduit

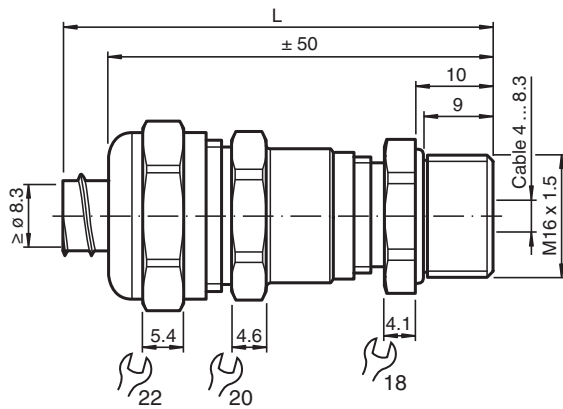


Cable gland M16 for cable diameter 4 ... 8.3 mm and 5/16" flexible coated conduit

Function

The cable gland is used in conjunction with a suitable flexible conduit and a suitable sensor adapter to form a cable protection system for sensors. The purpose of this system is to protect the sensor wiring in harsh environments.

Dimensions



Technical Data

Mechanical specifications






Clamping range (D)	
Seal insert	outer seal: for cable diameter 6 ... 8.3 mm outer seal + inner seal: for cable diameter 4 ... 6 mm
Thread type	metric
Thread size	M16 x 1.5
Degree of protection	IP65
Material	
Cable gland	brass, nickel-plated
Seal	Seal two-piece , synthetic rubber EDPM V0
Clamping ring	PVC
O-Ring	NBR

Release date: 2020-06-30 Date of issue: 2020-06-30 Filename: 307508_eng.pdf

Technical Data

Mass	58 g
General information	
Supplementary information	observe mounting instructions

Matching system components

	CP-CDT-SLT-5/16-10M	5/16" flexible coated conduit 10 m
	CP-ADP-SLT-5/16-M18 5pcs	Sensor adapter for M18 sensors and 5/6" flexible coated conduit
	CP-ADP-SLT-5/16-M30 5pcs	Sensor adapter for M30 sensors and 5/6" flexible coated conduit
	LOCKNUT M16 NICKEL BRASS	Nut, nickel-plated brass
	LOCKNUT M8 NICKEL BRASS	Nut, nickel-plated brass