



## Y connection cable

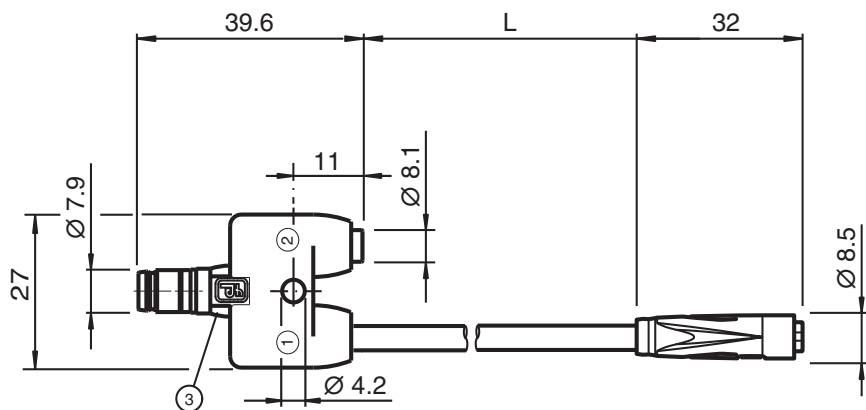
### V31-0,3M-PVC/V31-YEE-V31-YELS

- Easy merging of two signals at a single M8 slot
- Snap locking
- UL listed for USA and Canada

Y connection cable M8 plug snap-lock straight A-coded 4-pin to 2x M8 socket snap-lock straight A-coded 4-pin, PVC cable black, UL approved



## Dimensions



## Technical Data

### General specifications

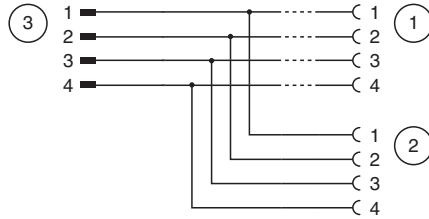
Connector 1	
Connection	socket
Construction type	M8
Style	straight
Locking	snap locking
Number of pins	4
Coding	A-coded
Connector 2	
Connection	socket
Construction type	M8
Style	straight
Locking	snap locking
Number of pins	4
Coding	A-coded
Connector 3	

Release date: 2024-03-15 Date of issue: 2024-03-15 Filename: 309689\_eng.pdf

## Technical Data

Connection		plug
Construction type		M8
Style		straight
Locking		snap locking
Number of pins		4
Coding		A-coded
<b>Electrical specifications</b>		
Operating voltage	$U_B$	max. 30 V AC/DC
Operating current	$I_B$	max. 3 A
<b>Conformity</b>		
Degree of protection		EN 60529
Plug connection		connector M8 x 1 : IEC 61076-2-104
Flammability		UL 1581 , IEC 60332-1-2
<b>Approvals and certificates</b>		
UL approval		AWM STYLE 2095 AWM I/II A/B 80°C 300V FT1 (cable)
UL File Number		E231213
<b>Ambient conditions</b>		
Ambient temperature		
Plug connector		-40 ... 90 °C (-40 ... 194 °F)
Cable, fixed		-25 ... 80 °C (-13 ... 176 °F)
Cable, flexing		-5 ... 80 °C (23 ... 176 °F)
Pollution degree		3
<b>Mechanical specifications</b>		
Plug connector		
Mating cycles		min. 100
Degree of protection		IP65
Cable		
Sheath diameter		4.3 mm
Bending radius		> 15 x cable diameter, moving > 5 x cable diameter, fixed
Sheath stripping force		max. 50 N / 300 mm
Sheath color		black (similar to RAL 9005)
Number of cores		4
Core cross section		0.34 mm <sup>2</sup>
Cores color		Core 1: brown Core 2: white Core 3: blue Core 4: black
Core construction		19 x 0.15 mm Ø
Length	L	0.3 m
Cable code		Li YY 4 x 0,34
<b>Material</b>		
Plug connector		
Body		PUR, black
Contact surface		Au
Flammability		V-2
Cable		
Sheathing		PVC
Core insulation		PVC
Flammability		FT1

# Connection Assignment



Release date: 2024-03-15 Date of issue: 2024-03-15 Filename: 309689\_eng.pdf