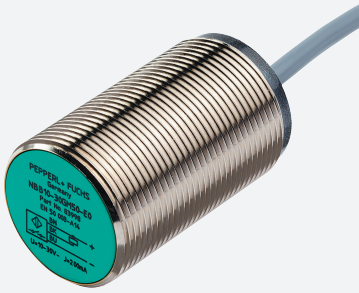


Inductive sensor

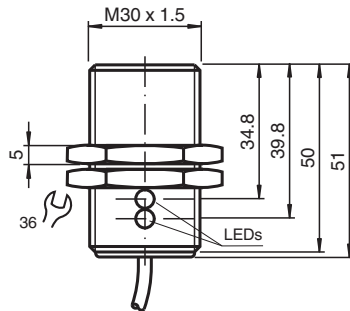
NBB15-30GM50-UO-5M



- Cylindrical
- 15 mm flush
- 2-wire AC/DC



Dimensions



Technical Data

General specifications

Switching function		Normally closed (NC)
Output type		Two-wire
Rated operating distance	s_n	15 mm
Installation		flush
Output polarity		AC/DC
Reduction factor r_{Al}		0.5
Reduction factor r_{Cu}		0.45
Reduction factor r_{304}		0.75
Output type		3-wire

Nominal ratings

Switching frequency	f	30 Hz
Hysteresis	H	3 ... 15 % typ. 5 %
Reverse polarity protection		yes
Short-circuit protection		yes
Voltage drop	U_d	≤ 8 V
Rated operating current	I_e	4 ... 500 mA AC/DC
Off-state current	I_r	≤ 0.8 mA
Operating voltage indicator		LED, green
Switching state indicator		LED, yellow

Electrical specifications

Rated operating voltage	U_e	20 ... 250 V AC/DC
-------------------------	-------	--------------------

Release date: 2024-10-17 Date of issue: 2024-10-17 Filename: 309701_eng.pdf

Technical Data

Compliance with standards and directives

Standard conformity

Standards EN IEC 60947-5-2

Approvals and certificates

UL approval cULus Listed, General Purpose

Ambient conditions

Ambient temperature -25 ... 70 °C (-13 ... 158 °F)

Storage temperature -40 ... 85 °C (-40 ... 185 °F)

Mechanical specifications

Connection type cable

Housing material brass, nickel-plated

Sensing face PBT

Degree of protection IP67

Cable

Wire end ferrules yes

Bending radius > 10 x cable diameter

Material PUR

Color black

Number of cores 3

Core cross section 0.5 mm²

Length L 5 m

Dimensions

Length 50 mm

Diameter 30 mm

Connection

