

Inductive sensor

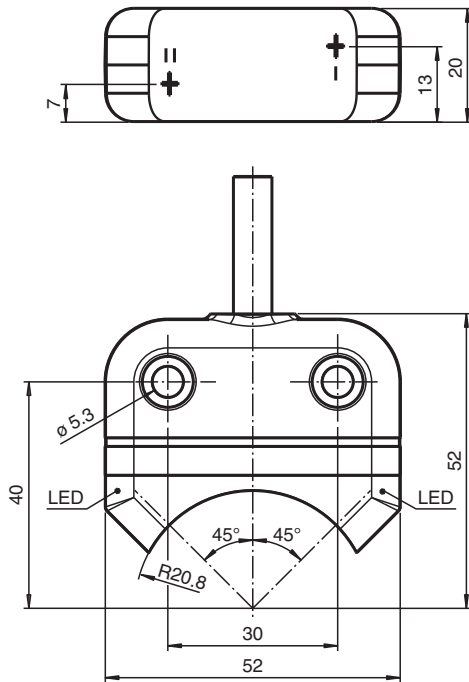
NBN4-F25-2Z4L-5M



- Direct mounting on standard actuators
- Small construction with sturdy plastic housing of protection class IP 67
- 2-wire DC sensor with minimum off-state current



Dimensions



Technical Data

General specifications

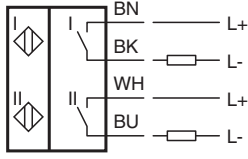
| | | |
|----------------------------|-------|---|
| Switching function | | Normally open (NO) |
| Output type | | Two-wire with minimum off-state current |
| Rated operating distance | s_n | 4 mm |
| Installation | | flush mountable |
| Output polarity | | DC |
| Assured operating distance | s_a | 0 ... 3.24 mm |
| Actual operating distance | s_r | 3.6 ... 4.4 mm typ. |
| Reduction factor r_{Al} | | 0.6 |
| Reduction factor r_{Cu} | | 0.45 |
| Reduction factor r_{304} | | 1 |

Release date: 2025-07-02 Date of issue: 2025-07-02 Filename: 310437_eng.pdf

Technical Data

| | | |
|---|-------|---|
| Reduction factor r_{S137} | | 1.2 |
| Output type | | 2x 2-wire |
| Nominal ratings | | |
| Operating voltage | U_B | 5 ... 30 V DC |
| Switching frequency | f | 0 ... 500 Hz |
| Hysteresis | H | typ. 5 % |
| Reverse polarity protection | | reverse polarity protected |
| Short-circuit protection | | pulsing |
| Voltage drop | U_d | ≤ 4.5 V |
| Operating current | I_L | 4 ... 100 mA |
| Off-state current | I_r | 120 ... 200 μ A typ. 175 μ A at 25 °C |
| Time delay before availability | t_v | ≤ 100 ms |
| Switching state indicator | | LED, yellow |
| Compliance with standards and directives | | |
| Standard conformity | | |
| Standards | | EN IEC 60947-5-2 |
| Approvals and certificates | | |
| UL approval | | cULus Listed Circuitry: Class 2 Power Source Enclosure Type Rating: Type 1 Supply/Switching Voltage: 30 V DC Output Switching Current: 200 mA |
| CCC approval | | CCC approval / marking not required for products rated ≤ 36 V |
| Ambient conditions | | |
| Ambient temperature | | -25 ... 70 °C (-13 ... 158 °F) |
| Storage temperature | | -40 ... 85 °C (-40 ... 185 °F) |
| Mechanical specifications | | |
| Connection type | | cable |
| Housing material | | PBT |
| Sensing face | | PC |
| Degree of protection | | IP67 |
| Cable | | |
| Wire end ferrules | | yes |
| Cable diameter | | 4.3 mm \pm 0.1 mm |
| Bending radius | | > 15 x cable diameter |
| Material | | PVC |
| Color | | black |
| Number of cores | | 4 |
| Core cross section | | 0.34 mm ² |
| Length | L | 5 m |
| Mass | | 405 g |
| Tightening torque, fastening screws | | M5 x 25 : ≤ 2.7 Nm |
| Dimensions | | |
| Height | | 20 mm |
| Width | | 52 mm |
| Length | | 52 mm |
| Note | | Mounted on mechanical drive |

Connection Assignment



Release date: 2025-07-02 Date of issue: 2025-07-02 Filename: 310437_eng.pdf