



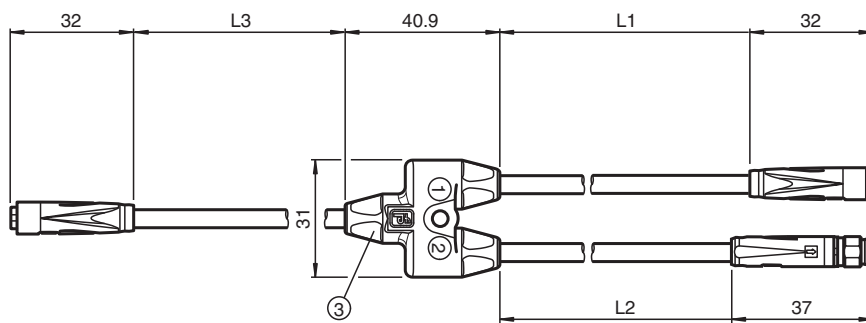
Y connection cable

V31-0,3MPVC/V31S-0,1-TEE-V31-G

- Easy merging of two signals at a single M8 slot
- Snap locking
- Plug fits through drill holes diameter min. 8 mm

Y connection cable M8 socket snap-lock straight A-coded 4-pin to 1x M8 socket / 1x M8 plug snap-lock straight A-coded 4-pin, PVC cable black

Dimensions



Technical Data

General specifications

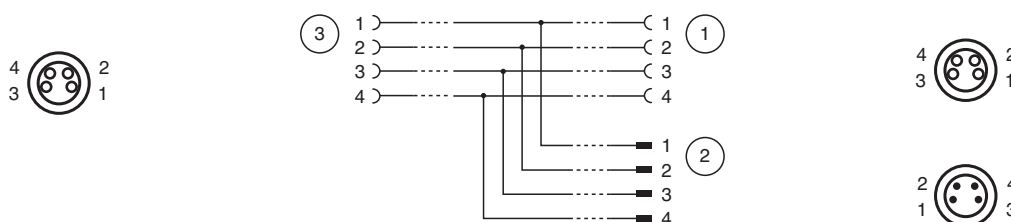
Connector 1	
Connection	socket
Construction type	M8
Style	straight
Locking	snap locking
Number of pins	4
Coding	A-coded
Connector 2	
Connection	plug
Construction type	M8
Style	straight
Locking	snap locking
Number of pins	4
Coding	A-coded
Connector 3	
Connection	socket
Construction type	M8
Style	straight
Locking	snap locking
Number of pins	4

Release date: 2025-04-10 Date of issue: 2025-04-10 Filename: 310812_eng.pdf

Technical Data

Coding	A-coded	
Electrical specifications		
Operating voltage	U _B	30 V AC/DC
Operating current	I _B	max. 3 A
Conformity		
Degree of protection	EN 60529	
Plug connection	connector M8 x 1 : IEC 61076-2-104	
Flammability	UL 1581 , IEC 60332-1-2	
Ambient conditions		
Ambient temperature		
Plug connector	-25 ... 90 °C (-13 ... 194 °F)	
Cable, fixed installation	-25 ... 80 °C (-13 ... 176 °F)	
Cable, flexing	-5 ... 80 °C (23 ... 176 °F)	
Pollution degree	3	
Mechanical specifications		
Plug connector		
Mating cycles	min. 100	
Degree of protection	IP65	
Cable	according to IEC/EN 60228 (DIN VDE 0295) class 5	
Sheath diameter	4.3 mm	
Bending radius	> 15 x cable diameter, movable installation > 5 x cable diameter, fixed installation	
Sheath stripping force	max. 50 N / 300 mm	
Sheath color	black (similar to RAL 9005)	
Number of cores	4	
Core cross section	0.34 mm ²	
Cores color	Core 1: brown Core 2: white Core 3: blue Core 4: black	
Core construction	19 x 0.15 mm Ø	
Length	L	L1 = 300 mm L2 = 100 mm L3 = 100 mm
Cable code	Li YY 4 x 0,34	
Mass	30 g	
Material		
Plug connector		
Body	PUR, black	
Contact surface	Au	
Flammability	V-2	
Cable		
Sheathing	PVC	
Core insulation	PVC	
Flammability	FT1	

Connection Assignment



Release date: 2025-04-10 Date of issue: 2025-04-10 Filename: 310812_eng.pdf