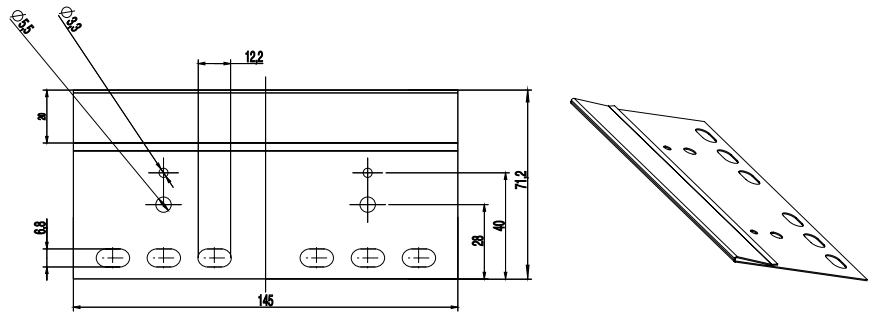




Dimensions



Model Number

WCS3-CS70-E

WCS3 code rail extender

Function

The WCS3 code rail extender allows you to extend the code rail to a total length of up to 628 m.

Use the WCS3 code rail extender only for straight track sections and with WCS3 read heads that have the "Extended" option.

Matching system components

WCS3-CS70-M1

Code rail, stainless steel

WCS3-CS70-L1

Code rail, polyester laminate

WCS3B-LS221ES

Read head, RS-485 interface, with RS-485 termination resistor

Technical data

Ambient conditions

Ambient temperature -40 ... 100 °C (-40 ... 212 °F)

Mechanical specifications

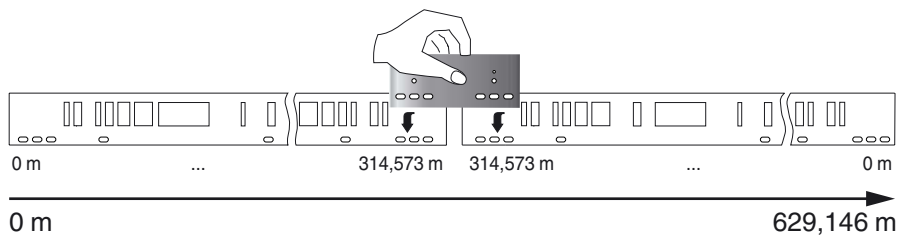
Material thickness 2 mm

Material Metal sheet (steel), zinc-plated

Mass 710 g

The code rail extension is always located at the end position 314,573 m to 314,573 m!

The first code rail segment always begins at 0 m and ends at 314,573 m.



Attention!

Use of reader WCS3B-LS*ES is a prerequisite for extending the code rail.