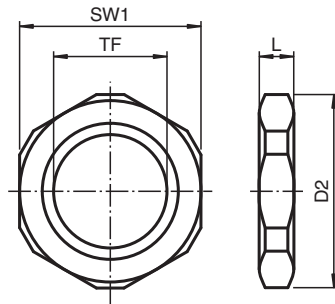


Locknuts

LN.NPSL3/8.BN.K100

- Brass nickel-plated
- Thread NPSL 3/8"
- Packaging unit: 100 pieces

Dimensions



Dimension values see data table.
Image and drawing are generic for this component type and may deviate from the specific variant.

Legend	
D2	Width across corners
L	Total length
SW1	Width across flats
TF	Thread size female

Technical Data

Mechanical specifications

Thread type	NPSL ANSI B1.20.1
Thread size female (TF)	NPSL 3/8"
Material	brass, nickel-plated
Finish	inherent color silver
Dimensions	
Width across corners (D2)	26.5 mm

Release date: 2020-06-02 Date of issue: 2020-06-02 Filename: 312483_eng.pdf

Technical Data

Width across flats (SW1)	24 mm
Total length (L)	5 mm
General information	
Delivery quantity	100
Scope of delivery	Locknuts

Matching system components

	CG.AR.NPT3/8.SS. C.16.K15
	CG.AR.NPT3/8.BN. C.16.K15