

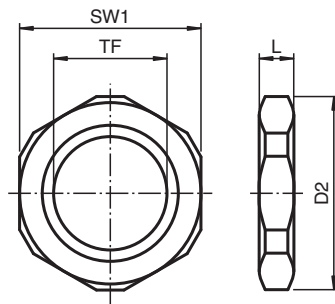


## Locknuts

LN.NPSL1.BN.K50

- Brass nickel-plated
- Thread NPSL 1"
- Packaging unit: 50 pieces

## Dimensions



Dimension values see data table.

Image and drawing are generic for this component type and may deviate from the specific variant.

Legend	
D2	Width across corners
L	Total length
SW1	Width across flats
TF	Thread size female

## Technical Data

### Mechanical specifications





Thread type	NPSL ANSI B1.20.1
Thread size female (TF)	NPSL 1"
Material	brass, nickel-plated
Finish	inherent color silver
Dimensions	
Width across corners (D2)	46.4 mm

Release date: 2020-06-02 Date of issue: 2020-06-02 Filename: 312487\_eng.pdf

## Technical Data

Width across flats (SW1)	42 mm
Total length (L)	6 mm
<b>General information</b>	
Delivery quantity	50
Scope of delivery	Locknuts

## Matching system components

	<b>CG.AR.NPT1L.BN.</b> C.26.K10
	<b>CG.AR.NPT1L.SS.</b> C.26.K10
	<b>CG.AR.NPT1.SS.</b> C.26.K10
	<b>CG.AR.NPT1.BN.</b> C.26.K10