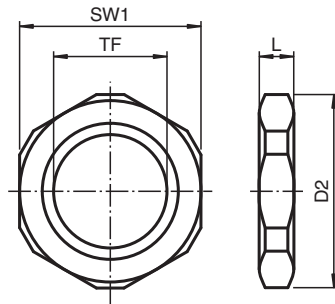


Locknuts

LN.NPSL1-1/4.BN.K25

- Brass nickel-plated
- Thread NPSL 1-1/4"
- Packaging unit: 25 pieces

Dimensions



Dimension values see data table.

Image and drawing are generic for this component type and may deviate from the specific variant.

| Legend | |
|--------|----------------------|
| D2 | Width across corners |
| L | Total length |
| SW1 | Width across flats |
| TF | Thread size female |

Technical Data

Mechanical specifications



| | |
|---------------------------|-----------------------|
| Thread type | NPSL ANSI B1.20.1 |
| Thread size female (TF) | NPSL 1-1/4" |
| Material | brass, nickel-plated |
| Finish | inherent color silver |
| Dimensions | |
| Width across corners (D2) | 57.4 mm |

Release date: 2020-06-02 Date of issue: 2020-06-02 Filename: 312488_eng.pdf

Technical Data

| | |
|----------------------------|----------|
| Width across flats (SW1) | 52 mm |
| Total length (L) | 7 mm |
| General information | |
| Delivery quantity | 25 |
| Scope of delivery | Locknuts |

Matching system components

| | |
|---|--|
|  | CG.AR.NPT1-1/4.SS. C.28.K05 |
|  | CG.AR.NPT1-1/4.BN. C.28.K05 |