

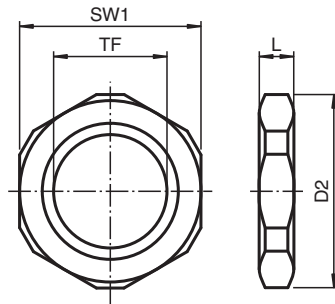


## Locknuts

LN.NPSL2.BN.K10

- Brass nickel-plated
- Thread NPSL 2"
- Packaging unit: 10 pieces

## Dimensions



Dimension values see data table.  
Image and drawing are generic for this component type and may deviate from the specific variant.

Legend	
D2	Width across corners
L	Total length
SW1	Width across flats
TF	Thread size female

## Technical Data



Mechanical specifications	
Thread type	NPSL ANSI B1.20.1
Thread size female (TF)	NPSL 2"
Material	brass, nickel-plated
Finish	inherent color silver
Dimensions	
Width across corners (D2)	81.8 mm

Release date: 2020-06-02 Date of issue: 2020-06-02 Filename: 312490\_eng.pdf

**Technical Data**

Width across flats (SW1)	74 mm
Total length (L)	8 mm
<b>General information</b>	
Delivery quantity	10
Scope of delivery	Locknuts

**Matching system components**

	<b>CG.AR.NPT2.SS.</b> <b>C.28.K02</b>
	<b>CG.AR.NPT2.BN.</b> <b>C.28.K02</b>