

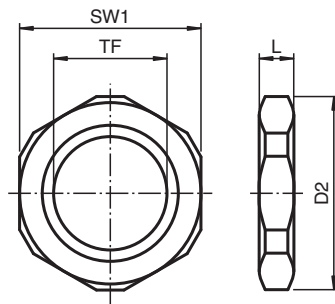


## Locknuts

LN.NPSL2-1/2.BN.K10

- Brass nickel-plated
- Thread NPSL 2-1/2"
- Packaging unit: 10 pieces

## Dimensions



Dimension values see data table.

Image and drawing are generic for this component type and may deviate from the specific variant.

Legend	
D2	Width across corners
L	Total length
SW1	Width across flats
TF	Thread size female

## Technical Data

### Mechanical specifications

Thread type	NPSL ANSI B1.20.1
Thread size female (TF)	NPSL 2-1/2"
Material	brass, nickel-plated
Finish	inherent color silver
Dimensions	
Width across corners (D2)	89 mm

Release date: 2020-06-02 Date of issue: 2020-06-02 Filename: 312491\_eng.pdf

**Technical Data**

Width across flats (SW1)	80 mm
Total length (L)	10 mm
<b>General information</b>	
Delivery quantity	10
Scope of delivery	Locknuts