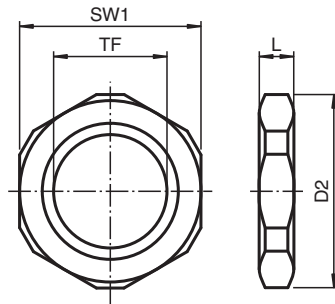


Locknuts

LN.NPSL3-1/2.BN.K10

- Brass nickel-plated
- Thread NPSL 3-1/2"
- Packaging unit: 10 pieces

Dimensions



Dimension values see data table.

Image and drawing are generic for this component type and may deviate from the specific variant.

Legend	
D2	Width across corners
L	Total length
SW1	Width across flats
TF	Thread size female

Technical Data

Mechanical specifications

Thread type	NPSL ANSI B1.20.1
Thread size female (TF)	NPSL 3-1/2"
Material	brass, nickel-plated
Finish	inherent color silver
Dimensions	
Width across corners (D2)	128.5 mm

Release date: 2020-06-02 Date of issue: 2020-06-02 Filename: 312493_eng.pdf

Technical Data

Width across flats (SW1)	115 mm
Total length (L)	10 mm
General information	
Delivery quantity	10
Scope of delivery	Locknuts