



RFID read/write device hazardous area

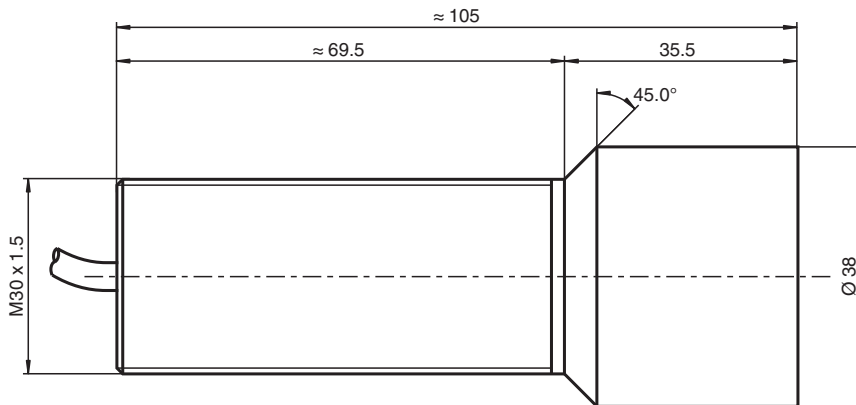
IQH1-30GM-Ex

- Read/write head with thread M30 x 1.5
- ATEX-approval for zone 1 and zone 21
- Degree of protection IP68
- 15 m connection cable
- For connection to IDENTControl control interface
- Encapsulation Ex m

HF RFID read/write device for hazardous areas, ISO 15693, for IDENTControl



Dimensions



Technical Data

General specifications

Operating frequency	13.56 MHz
Transfer rate	26 kBit/s
MTBF	375 a (Operation at +40 °C)

Electrical specifications

Power consumption	P_0	≤ 1.2 W
Supply		from the IDENTControl

Directive conformity

Radio equipment		
Directive 2014/53/EU		EN 301489-1 EN 301489-3 EN 300330 EN 62368-1 EN 50364

RoHS		
Directive 2011/65/EU (RoHS)		IEC/EN 63000

Standard conformity

Explosion protection		EN IEC 60079-0 EN 60079-18/A1
Degree of protection		EN 60529

Technical Data

RFID	ISO/IEC 15693-2 ISO/IEC 15693-3 ISO/IEC 18000-3
Approvals and certificates	
ATEX approval	
Marking	⊕ II 2G Ex mb IIC T4 Gb ⊕ II 2D Ex mb IIIC T130°C Db
Equipment protection level Gb	IBExU 21ATEX1039 X
Equipment protection level Db	IBExU 21ATEX1039 X
Ambient conditions	
Ambient temperature	-20 ... 70 °C (-4 ... 158 °F)
Storage temperature	-40 ... 85 °C (-40 ... 185 °F)
Mechanical specifications	
Degree of protection	IP68
Connection	15 m connecting cable included with delivery Connection e.g. with terminal boxes Series GL5
Material	
Housing	Stainless steel 1.4305 / AISI 303
Installation	
Distance between two heads	Multiplex on: ≥ 155 mm Multiplex off: ≥ 350 mm
Mass	approx. 2000 g
Dimensions	
Length	105 mm ± 1 mm
Diameter	38 mm
General information	
Use in the hazardous area	see instruction manuals

Connection

