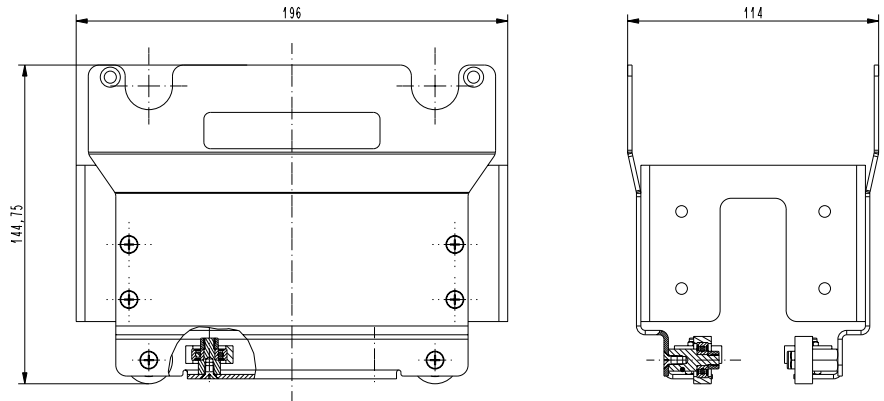


Dimensions



Model number

WCS3-GT09-P1-O

WCS3 guiding trolley for the WCS3B read head with protective enclosure, outdoor use

Features

- Ensures the optimum alignment of reading head and code rail
- Plastic rollers

Technical data

General specifications

Passage speed $v \leq 8$ m/s

Ambient conditions

Operating temperature $-40 \dots 60$ °C ($-40 \dots 140$ °F)

Storage temperature $-40 \dots 85$ °C ($-40 \dots 185$ °F)

Mechanical specifications

Bending radius ≥ 1000 mm

Material

Guide trolley stainless steel 1.4404 / AISI 316L (V4A)

Casters stainless steel

Running surface TPU, black

Mass 1000 g

Accessories**WCS3B-LS510D-OM**

Reader with protective enclosure,
EtherNet/IP interface

WCS3B-LS510H-OM

Reader with protective enclosure,
EtherNet/IP interface

WCS3B-LS510DH-OM

Reader with protective enclosure,
EtherNet/IP interface

WCS3B-LS510-OM

Reader with protective enclosure,
EtherNet/IP interface

WCS-GT-WL-P

WCS roller

WCS3-CS70-M1

Code rail, stainless steel

WCS3B-LS610H-OM

Reader with protective housing and PRO-
FINET interface

WCS3B-LS610-OM

Reader with protective housing and PRO-
FINET interface

WCS3B-LS221H-OL

Read head, RS-485 interface,
with RS-485 termination resistor

WCS3B-LS221H-OM

Read head, RS-485 interface,
with RS-485 termination resistor

WCS3B-LS221H-OR

Read head, RS-485 interface,
with RS-485 termination resistor

WCS3B-LS311DH-OM

Reading head, SSI interface, Gray code