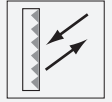




Reflector, rectangular with two mounting holes

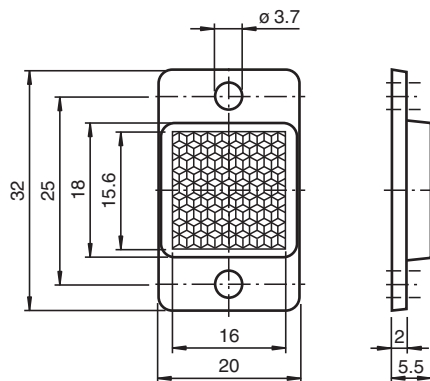
REF-H32x20

- Compact and space-saving design
- Mounting holes for simple installation



Reflector, rectangular with two mounting holes

Dimensions



Technical Data

General specifications

Construction type rectangular

Ambient conditions

Ambient temperature -40 ... 65 °C (-40 ... 149 °F)

Mechanical specifications

Material PMMA / PMMA

Dimensions 32 mm x 20 mm x 5.5 mm

Mounting mounting holes