

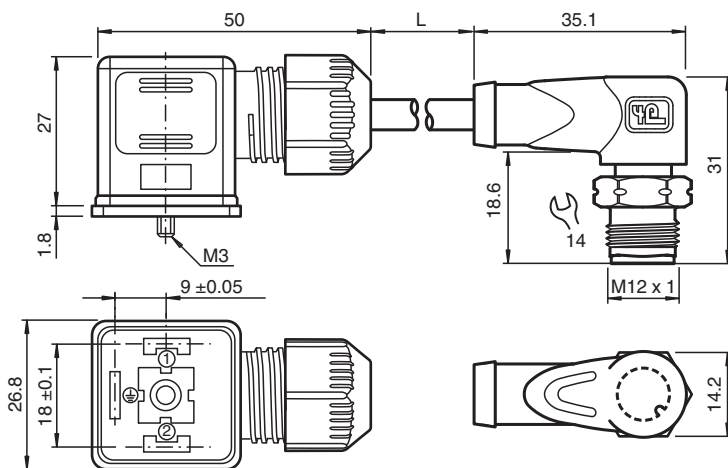
## Valve Connector Cordset

VMA-2+P-N-BU0,6M-PVC-V1-WV4A-Y

- Valve connector according EN 175301-803 A/ISO 4400
- Suitable for NAMUR technology
- Gold plated contacts
- Union screw made from stainless steel
- Immunity to vibration, with mechanical latching
- Suitable for routing intrinsically safe circuits in accordance with DIN EN 60079-14:2014

Valve connector Form A 2-pin+PE to M12 plug stainless steel 1.4404, A-coded 2-pin, PVC cable blue, NAMUR

### Dimensions



### Technical Data

#### General specifications

Connector 1	
Connection	Valve connector DIN
Style	angled
Locking	screw connection
Number of pins	2 + PE
Connector 2	
Connection	plug
Construction type	M12
Style	angled
Locking	screw connection
Number of pins	2
Coding	A-coded

#### Electrical specifications

Operating voltage	$U_B$	max. 250 V AC/DC
Test voltage		1500 V <sub>eff</sub> AC

Release date: 2025-04-07 Date of issue: 2025-04-07 Filename: 315841\_eng.pdf

## Technical Data

Operating current	$I_B$	max. 4 A
Resistance per unit length	$R'$	max. 0.053 $\Omega/m$
Capacitance per unit length	$C'$	101.8 nF/km
Inductance per unit length	$L'$	0.581 mH/km
<b>Conformity</b>		
Degree of protection		EN 60529
Plug connection		connector M12 x 1 : IEC 61076-2-101 Valve connector : DIN EN 175301-803
<b>Ambient conditions</b>		
Ambient temperature		
Connector 1		-40 ... 90 °C (-40 ... 194 °F)
Connector 2		-40 ... 90 °C (-40 ... 194 °F)
Cable, fixed installation		-25 ... 70 °C (-13 ... 158 °F)
Cable, flexing		-5 ... 70 °C (23 ... 158 °F)
Storage temperature		Connector 2 : -40 ... 125 °C (-40 ... 257 °F) :
Pollution degree		3
<b>Mechanical specifications</b>		
Connector 1		
Tightening torque		0.4 Nm
Degree of protection		IP67
Connector 2		
Tightening torque		0.6 Nm
Loosening protection		available
Tool installation		hexagon nut SW = 14 mm
Mating cycles		min. 100
Degree of protection		IP67 / IP68 / IP69
Pollution degree		3
Cable		
Sheath diameter		4.8 mm
Bending radius		> 10 x cable diameter, fixed installation > 15 x cable diameter, movable installation
Sheath color		blue (similar to RAL 5015)
Number of cores		2
Core cross section		0.34 mm <sup>2</sup>
Cores color		Core 1: brown Core 2: blue
Core construction		19 x 0.15 mm $\emptyset$
Length	L	0.6 m
Cable code		Li YY 2 x 0,34
Mass		51.96 g
<b>Material</b>		
Connector 1		
Body		PA, black
Seal		NBR
Contact surface		Ag
Connector 2		
Screw connection		Stainless steel 1.4404 / AISI 316L
Body		TPU, black
Contact surface		Au
Flammability		V-2
Cable		
Sheathing		PVC
Core insulation		PVC

## Connection Assignment

