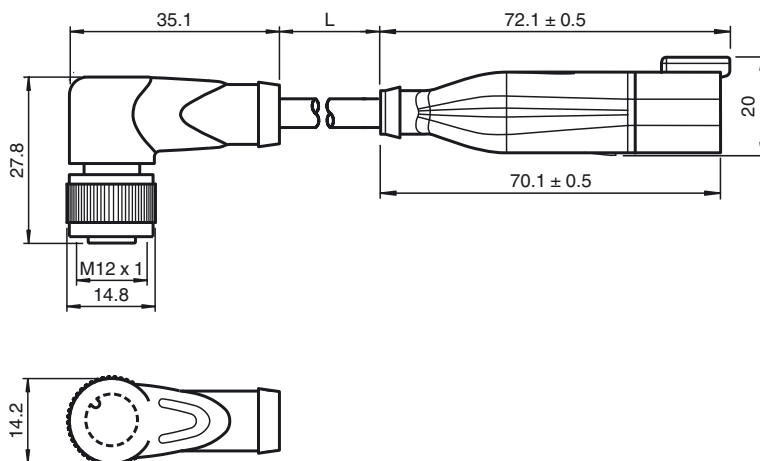




**Dimensions**



**Model Number**

**V11-W-BK0,3M-PUR-O1-DT4P-G-Y31**

Connecting cable, M12 socket to Deutsch connector, 3-pin PUR cable, outdoor

**Features**

- Oil and abrasion resistant PUR line appropriate for drag chains
- Resistant to microbes and hydrolysis
- Resistant to salt water
- Suitable for outdoor use (UV- and ozone resistant)
- Halogen-free

**Technical data**

**General specifications**

Number of pins	3
Connection 1	socket
Construction type 1	right angle
Threading 1	M12
Connection 2	Male connector
Construction type 2	straight
Threading 2	Deutsch connectors

**Electrical specifications**

Operating voltage	U <sub>B</sub>	max. 48 V AC / 60 V DC
Operating current	I <sub>B</sub>	max. 4 A
Lead resistance		Max. 39 Ω/km

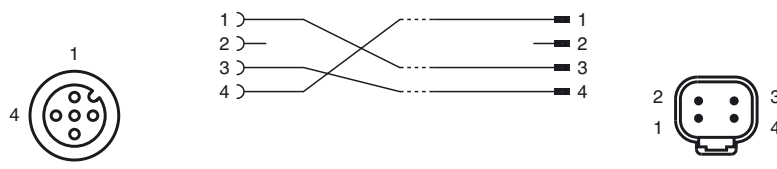
**Ambient conditions**

Ambient temperature	Body: -40 ... 105 °C (-40 ... 221 °F) cable, fixed: -50 ... 105 °C (-58 ... 221 °F) cable, flexing: -30 ... 105 °C (-22 ... 221 °F)
Pollution degree	3

**Mechanical specifications**

Contact elements	spring-loaded contact socket
Degree of protection	IP68
Cable code	(4 Li9Y 0,50 mm <sup>2</sup> ) 11Y
Material	
Contacts	Cu alloy / Au
Contact surface	Ni/Au
Body	PA, black TPU, black
Cable	PUR
Slotted nut	Diecast zinc
Core insulation	PP
Cable	extra-fine wire, flexible
Sheath diameter	Ø 4.5 mm ± 0.15 mm
Bending radius	> 10 x cable diameter, moving > 5 x cable diameter, fixed
Color	black (similar to RAL 7021)
Number of cores	4
Core cross-section	0.5 mm <sup>2</sup>
Conductor construction	28 x 0.15 mm Ø 1 x symmetrically twisted
Length	L 0.3 m
Drag chain suitability	
Drag chain cycles	≥ 2000000
Motion velocity	≤ 3 m/s
Traverse distance	≤ 10 m
Acceleration	≤ 10 m/s <sup>2</sup>

**Electrical connection**



ase date: 2018-02-19 13:19 Date of issue: 2018-02-20 316347\_eng.xml

**Flammability**

Contact carrier	V-2
Housing	V-0
Cable	cURus AWM 21924/11558 105°C 300V FT2

**Compliance with standards and directives****Standard conformity**

Degree of protection	EN 60529:2000
Standards	IEC 61076-2-101:2008
Flammability	UL 1581; DIN EN 60332-2-2
Halogen-free	DIN VDE 0472-815 DIN EN 50267-2-1
Chemical resistance	DIN EN 60811-2-1:2002 IRM 902

**Approvals and certificates**

UL approval	cURus AWM 21924/11558 105°C 300V FT2
Maximum permissible operating voltage	≤ 30 V
Maximum permissible ambient temperature	≤ 80 °C (≤ 176 °F)