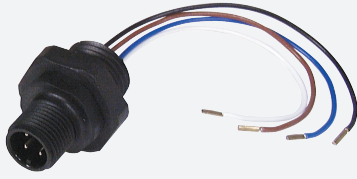


Receptacles

V1S-K-M16P-50

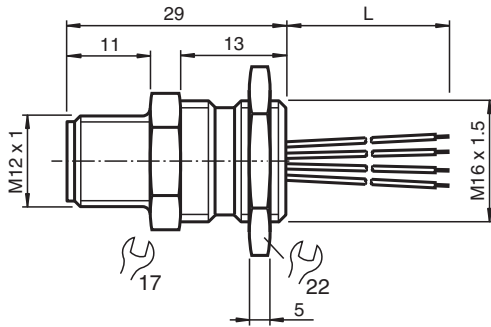


- Plastic version
- Front/screw mounting
- M12 plug can be mounted in any position

Receptacles, M12/M16, 4-pin



Dimensions



Technical Data

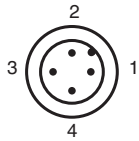
General specifications			
Connector 1			
Connection			plug
Construction type			M12
Style			straight
Locking			screw connection
Number of pins			4
Coding			A-coded
Connector 2			
Connection			cable end
Electrical specifications			
Operating voltage	U_B		max. 250 V AC/DC
Operating current	I_B		max. 4 A
Volume resistance			< 5 m Ω
Conformity			
Degree of protection			EN 60529
Plug connection			connector M12 x 1 : IEC 61076-2-101
Ambient conditions			
Ambient temperature			-25 ... 80 °C (-13 ... 176 °F)
Mechanical specifications			
Degree of protection			IP67 when sealing with O-Ring

Release date: 2025-02-17 Date of issue: 2025-02-17 Filename: 317056_eng.pdf

Technical Data

Connection	Single strand leads with connector sleeves	
Cable		
Number of cores		4
Core cross section		0.14 mm ²
Cores color		Core 1: brown Core 2: white Core 3: blue Core 4: black
Core construction		18 x 0.1 mm Ø
Length	L	50 mm
Installation		Front mounting M16
Mass		9.76 g
Material		
Plug connector		
Screw connection		PA 66, black
Seal		NBR
Contact surface		gold plated (Au)
Cable		
Core insulation		PVC
General information		
Scope of delivery		locknut included

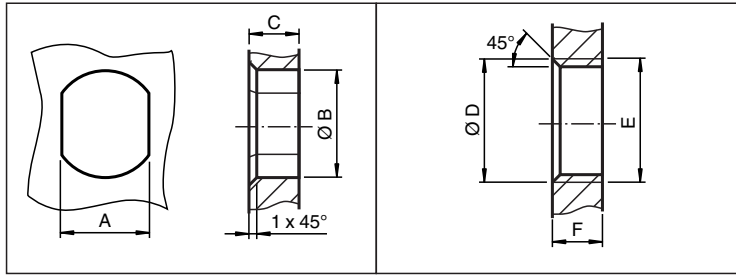
Connection Assignment



- 1 ————— BN
- 2 ————— WH
- 3 ————— BU
- 4 ————— BK

Release date: 2025-02-17 Date of issue: 2025-02-17 Filename: 317056_eng.pdf

Mounting



	A	B	C	D	E	F
M8	7.1 ^{+0.1}	Ø 8.2 ^{+0.1}	2 - 4 mm	-	M8x0.5	2 - 4 mm
M12	11 ^{+0.1}	Ø 12.2 ^{+0.1}	< 4 mm	-	M12x1	< 4.5 mm
M16	13.5 ^{+0.1}	Ø 16.1	< 4.5 mm	Ø 17 ^{+0.2}	M16x1.5	> 2.5 mm
M20	13.5 ^{+0.1}	Ø 20.1	-	Ø 20 ^{+0.2}	M20x1.5	< 6 mm
PG9	13.5 ^{+0.1}	Ø 15.3 ^{+0.1}	< 4.5 mm	Ø 16	PG9	> 2.5 mm
PG13.5	18.8 ^{+0.1}	Ø 20.5 ^{+0.1}	-	Ø 22 ^{±0.1}	PG13.5	-

Release date: 2025-02-17 Date of issue: 2025-02-17 Filename: 317056_eng.pdf

Scope of Delivery

O-ring (13,3 x 1,5) and lock nut are included and assembled.