

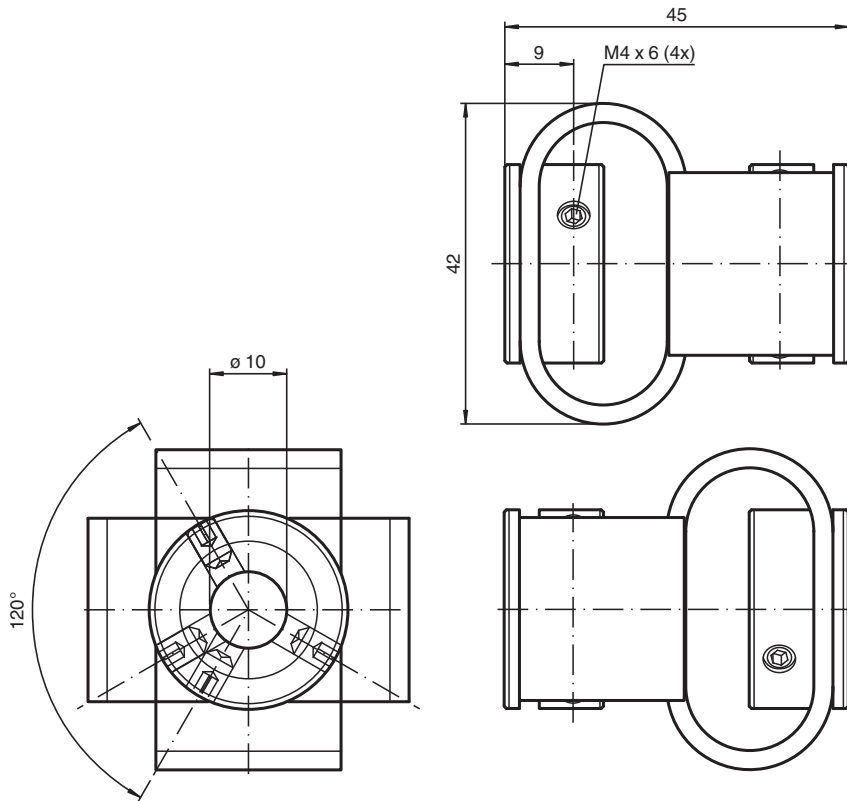
## Coupling

### 9408 10\*10

- Average torsional rigidity
- Small reset forces
- Shock- and vibration-absorbing
- Thermally and electrically insulating
- Very good compensation of radial, lateral and angular misalignments
- Maintenance-free

Double loop coupling 10 x 10

## Dimensions



## Technical Data

### Ambient conditions

Operating temperature -30 ... 80 °C (-22 ... 176 °F)

### Mechanical specifications

Shaft diameter	10 mm
Material	
Fastener	Polyurethane
End piece	Zinc plated steel
Mass	85 g

Release date: 2022-04-21 | Date of issue: 2022-12-12 | Filename: 317310\_eng.pdf

**Technical Data**

Rotational speed	max. 3000 min
Max. torque	2 Nm
Radial offset	max. $\pm$ 3 mm
Axial offset	max. $\pm$ 4 mm
Angle error	max. $\pm$ 12 °
Torsion spring stiffness	28 Nm / rad
Radial spring stiffness	7 N / mm
Moment of inertia	106 kg m <sup>2</sup> x 10 <sup>-7</sup>
Mounting	clamp screws M4 x 6, DIN 916
Tightening torque of clamping screws	max. 1 Nm