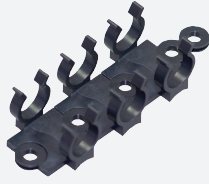


Universal holder

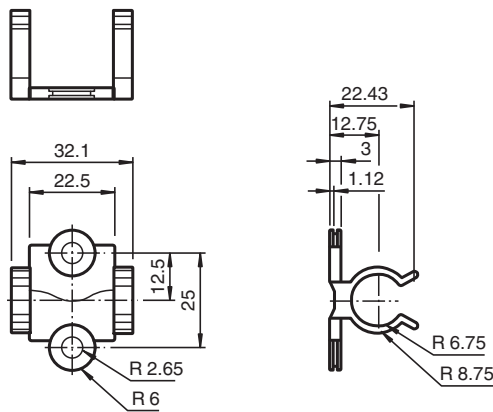
MH V1-Holder



- Modular universal holder
- Free from substances that impair paint wetting

Modular universal holder for M12 connectors

Dimensions

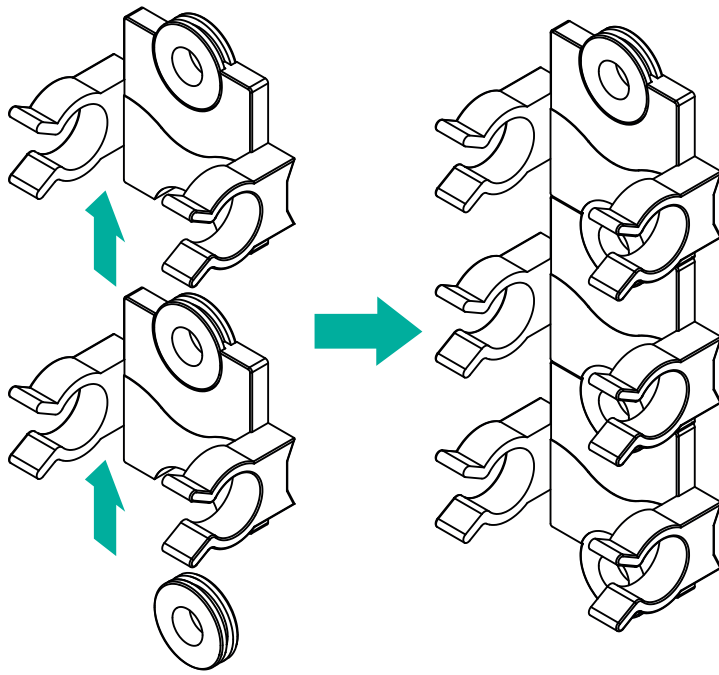


Technical Data

Ambient conditions	
Installation temperature	-25 ... 85 °C (-13 ... 185 °F)
Mechanical specifications	
Connection	14 mm
Installation	Distance between mounting holes: 25 mm
Note	Packaging unit, 10-piece

Release date: 2020-06-29 Date of issue: 2020-06-30 Filename: 318646_eng.pdf

Mounting



Release date: 2020-06-29 Date of issue: 2020-06-30 Filename: 318646_eng.pdf