

# Female connector, field-attachable

## V15L-G-BK

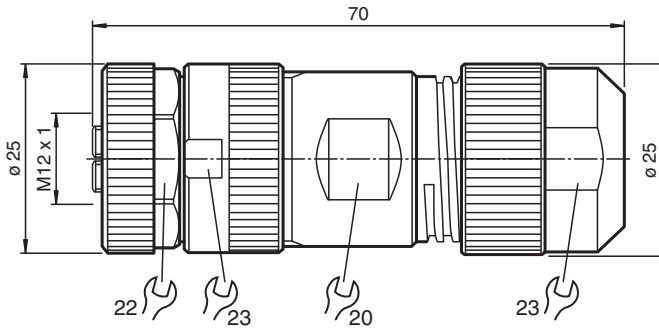


- Field-attachable
- Screw terminal connection
- Metal locking
- Knurled nut suitable for tool assembly
- UL Recognized Component

Female connector M12 straight L-coded 5-pin, for cable diameter 8 - 13 mm, field-attachable



### Dimensions



### Technical Data

#### General specifications

Connector 1	
Connection	socket
Construction type	M12
Style	straight
Locking	screw connection
Number of pins	5
Coding	L-coded

#### Electrical specifications

Rated operating voltage	$U_e$	max. 48 V AC / 63 V DC
Rated operating current	$I_e$	1.5 mm <sup>2</sup> , AWG 16 : 12 A 2.5 mm <sup>2</sup> , AWG 14 : 16 A
Surge protection		Category III
Insulation resistance		min. 10000 M $\Omega$

#### Conformity

Degree of protection	EN 60529
Plug connection	connector M12 x 1 : IEC 61076-2-111

#### Approvals and certificates

UL File Number	E363587
----------------	---------

#### Ambient conditions

Ambient temperature	-40 ... 105 °C (-40 ... 221 °F)
---------------------	---------------------------------

Release date: 2024-12-05 Date of issue: 2024-12-05 Filename: 318791\_eng.pdf

## Technical Data

Pollution degree	3
<b>Mechanical specifications</b>	
Plug connector	
Tightening torque	0.6 Nm
Tool installation	straight knurling , hexagon nut SW = 22 mm
Mating cycles	min. 100
Degree of protection	IP67
Connection	screw terminals for max. 1.5 mm <sup>2</sup> / AWG 16 with wire end ferrule screw terminals for max. 2.5 mm <sup>2</sup> / AWG 14 without wire end ferrules
Cable	
Sheath diameter	8 ... 13 mm
Core cross section	2.5 mm <sup>2</sup> / 14 AWG max.
Installation	screw terminals 0.4 Nm
Mass	52 g
<b>Material</b>	
Plug connector	
Screw connection	CuZn, nickel-plated
Body	PA, black
Contact surface	gold plated (Au)
Flammability	V-0

## Connection Assignment



## Connection

