

# Cable Glands, Metal, Barrier Glands for armored Cables

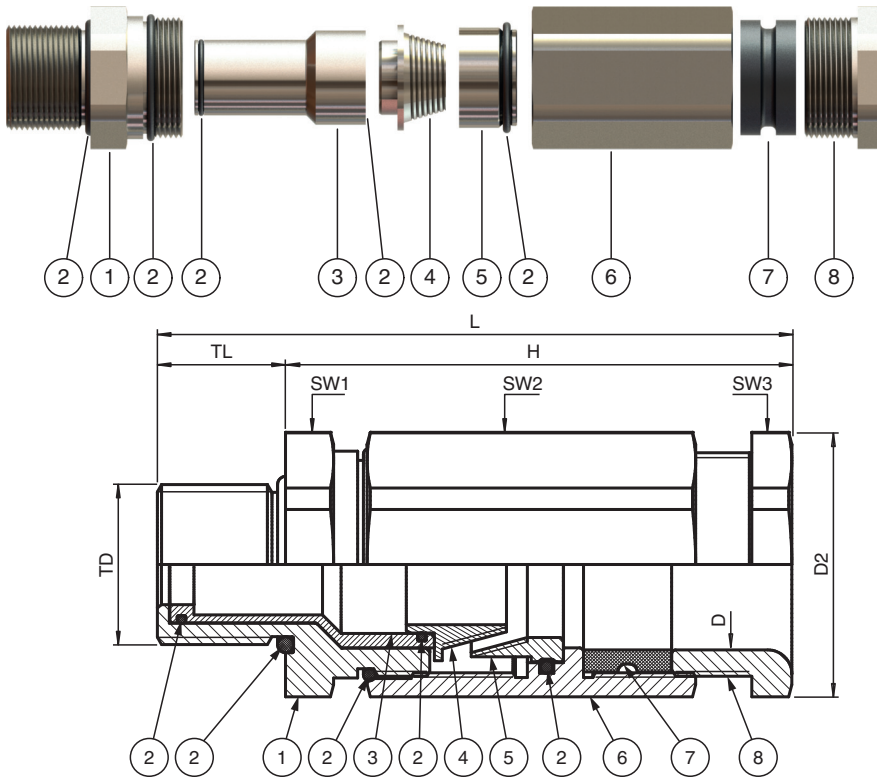
CG.BA.M32L.BN.S.16.K01



- For armored cables
- Barrier gland
- Brass nickel-plated
- Thread M32
- Seal silicone
- Ex db, Ex eb and Ex tb certified
- Suitable for operation in Zone 1, Zone 2, Zone 21 and Zone 22
- Packaging unit: 1 piece, kit with accessories
- USA usage prohibited!



## Dimensions



Release date: 2025-05-19 Date of issue: 2025-05-19 Filename: 319398\_eng.pdf

## Dimensions

Details see data table

| Legend |                                            |
|--------|--------------------------------------------|
| 1      | Gland body basis                           |
| 2      | O-Ring                                     |
| 3      | Barrier tube                               |
| 4      | Armor cone (CG.BA.*)                       |
| 5      | Swifel braid ring (CG.BA.*)                |
| 6      | Gland body                                 |
| 7      | Seal insert                                |
| 8      | Pressure nut                               |
| 9      | Barrier pressure ring bushing (CG.BN.*)    |
|        |                                            |
| D      | Clamping range, cable sheath diameter      |
| D2     | Width across corners                       |
| H      | Length outside enclosure                   |
| L      | Total length                               |
| SW*    | Width across flats                         |
| TD     | Thread size                                |
| TL     | Thread length                              |
|        |                                            |
|        | Barrier details in data table              |
| CQ     | Max. number of cores                       |
| DS     | Core cross-section, single-core cable      |
| DM     | Total core cross-section, multi-core cable |
| CC     | Max. total core cross-section area         |

## Technical Data

### Mechanical specifications

|                                                    |                                                            |
|----------------------------------------------------|------------------------------------------------------------|
| Cable type                                         | armored cables                                             |
| Clamping range (D)                                 | 23 ... 33 mm                                               |
| Thread type                                        | metric ISO pitch 1.5 mm                                    |
| Thread size (TD)                                   | M32                                                        |
| Degree of protection                               | IP66 / IP68                                                |
| Material                                           |                                                            |
| Finish                                             | inherent color silver                                      |
| Cable gland                                        | brass, nickel-plated                                       |
| O-Ring                                             | silicone                                                   |
| Seal insert                                        | silicone                                                   |
| Casting compound                                   |                                                            |
| Description                                        | EP 2122 Epoxy Putty<br>Compound must be ordered separately |
| Part number                                        | 70101827                                                   |
| Mass                                               | 60 g                                                       |
| Required amount per cable gland                    | 31 g                                                       |
| Packaging units per delivery quantity cable glands | 1                                                          |
| Cable glands per packaging unit casting compound   | 1                                                          |
| Mass                                               |                                                            |
| Individual component                               | approx. 438 g                                              |

Release date: 2025-05-19 Date of issue: 2025-05-19 Filename: 319398\_eng.pdf

## Technical Data

|                                                                |                                                                                                                                                                                                                                                              |
|----------------------------------------------------------------|--------------------------------------------------------------------------------------------------------------------------------------------------------------------------------------------------------------------------------------------------------------|
| Packing unit                                                   | approx. 470 g                                                                                                                                                                                                                                                |
| <b>Dimensions</b>                                              |                                                                                                                                                                                                                                                              |
| Width across corners (D2)                                      | 47 mm                                                                                                                                                                                                                                                        |
| Min. armor thickness                                           | 0.9 mm                                                                                                                                                                                                                                                       |
| Max. armor thickness                                           | 1.6 mm                                                                                                                                                                                                                                                       |
| Min. braiding thickness                                        | 0.3 mm                                                                                                                                                                                                                                                       |
| Max. braiding thickness                                        | 0.9 mm                                                                                                                                                                                                                                                       |
| Diameter thru-hole (DT)                                        | 32 ... 32.3 mm                                                                                                                                                                                                                                               |
| Number of cores (CQ)                                           | max. 36                                                                                                                                                                                                                                                      |
| Core cross section, single-core cable (DS)                     | 1.5 ... 21.5 mm                                                                                                                                                                                                                                              |
| Total core cross section, multi-core cables (DM)               | 1.5 ... 21.5 mm                                                                                                                                                                                                                                              |
| Total core cross section area (CC)                             | max. 363.1 mm <sup>2</sup>                                                                                                                                                                                                                                   |
| Length outside enclosure (H)                                   | 72.3 mm                                                                                                                                                                                                                                                      |
| Width across flats (SW1)                                       | 43 mm                                                                                                                                                                                                                                                        |
| Width across flats (SW2)                                       | 43 mm                                                                                                                                                                                                                                                        |
| Width across flats (SW3)                                       | 43 mm                                                                                                                                                                                                                                                        |
| Thread length (TL)                                             | 16 mm                                                                                                                                                                                                                                                        |
| Total length (L)                                               | 88.3 mm                                                                                                                                                                                                                                                      |
| <b>Tightening torque</b>                                       |                                                                                                                                                                                                                                                              |
| Nut torque at enclosure (SW1)                                  | 70 Nm                                                                                                                                                                                                                                                        |
| Nut torque 2 (SW2)                                             | 70 Nm                                                                                                                                                                                                                                                        |
| Nut torque 3 (SW3)                                             | 55 Nm                                                                                                                                                                                                                                                        |
| <b>Ambient conditions</b>                                      |                                                                                                                                                                                                                                                              |
| Ambient temperature                                            | -60 ... 100 °C (-76 ... 212 °F)                                                                                                                                                                                                                              |
| <b>Data for application in connection with hazardous areas</b> |                                                                                                                                                                                                                                                              |
| EU-type examination certificate                                | CESI 18 ATEX 037X                                                                                                                                                                                                                                            |
| Marking                                                        | Ⓜ II 2 GD<br>Ex db IIC Gb<br>Ex eb IIC Gb<br>Ex tb IIIC Db                                                                                                                                                                                                   |
| <b>International approvals</b>                                 |                                                                                                                                                                                                                                                              |
| IECEx approval                                                 | IECEx CES 18.0030X                                                                                                                                                                                                                                           |
| UKCA approval                                                  | CML 22 UKEX 1268X                                                                                                                                                                                                                                            |
| CCC approval                                                   | 2021312313000454                                                                                                                                                                                                                                             |
| <b>Conformity</b>                                              |                                                                                                                                                                                                                                                              |
| Degree of protection                                           | EN 60529                                                                                                                                                                                                                                                     |
| CE marking                                                     | 0102                                                                                                                                                                                                                                                         |
| <b>General information</b>                                     |                                                                                                                                                                                                                                                              |
| Delivery quantity                                              | 1                                                                                                                                                                                                                                                            |
| Scope of delivery                                              | Cable gland<br>pair of gloves<br>Brief instructions                                                                                                                                                                                                          |
| Supplementary information                                      | EC-Type Examination Certificate, Statement of Conformity, Declaration of Conformity, Attestation of Conformity and instructions have to be observed where applicable. For information see <a href="http://www.pepperl-fuchs.com">www.pepperl-fuchs.com</a> . |