

# Cable Glands, Metal, Barrier Glands for non-armored Cables

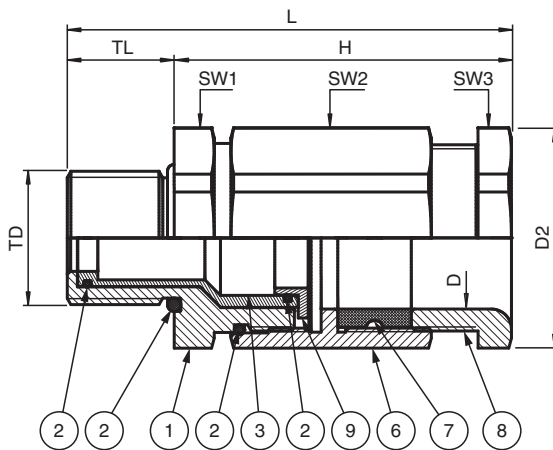
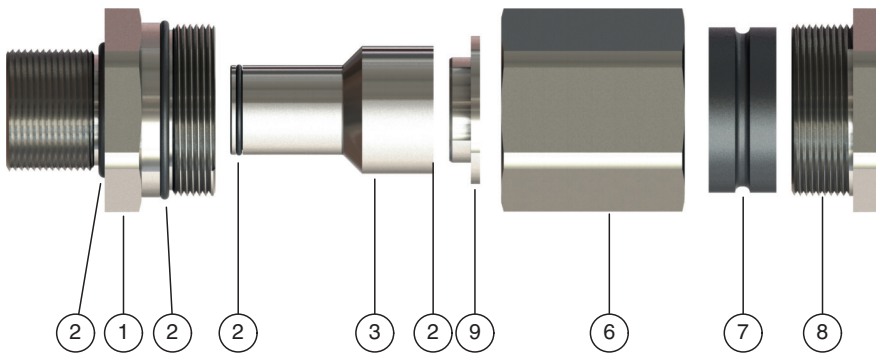
CG.BN.M20L.BN.S.16.K01



- For cables without armor
- Barrier gland
- Brass nickel-plated
- Thread M20
- Seal silicone
- Ex db, Ex eb and Ex tb certified
- Suitable for operation in Zone 1, Zone 2, Zone 21 and Zone 22
- Packaging unit: 1 piece, kit with accessories
- USA usage prohibited!



## Assembly



Release date: 2025-05-19 Date of issue: 2025-05-19 Filename: 319415\_eng.pdf

## Assembly

Details see data table

| Legend |  |
|--------|--|
| 1      | Gland body basis                           |
| 2      | O-Ring                                     |
| 3      | Barrier tube                               |
| 4      | Armor cone (CG.BA.*)                       |
| 5      | Swifel braid ring (CG.BA.*)                |
| 6      | Gland body                                 |
| 7      | Seal insert                                |
| 8      | Pressure nut                               |
| 9      | Barrier pressure ring bushing (CG.BN.*)    |
|        |  |
| D      | Clamping range, cable sheath diameter      |
| D2     | Width across corners                       |
| H      | Length outside enclosure                   |
| L      | Total length                               |
| SW*    | Width across flats                         |
| TD     | Thread size                                |
| TL     | Thread length                              |
|        |  |
|        | Barrier details in data table              |
| CQ     | Max. number of cores                       |
| DS     | Core cross-section, single-core cable      |
| DM     | Total core cross-section, multi-core cable |
| CC     | Max. total core cross-section area         |

## Technical Data

### Mechanical specifications

|  |  |
|--|--|
| Cable type   | non-armored cables   |
| Clamping range (D)                                 | 13.5 ... 21 mm   |
| Thread type  | metric ISO pitch 1.5 mm                                    |
| Thread size (TD)                                   | M20  |
| Degree of protection                               | IP66 / IP68  |
| Material   |  |
| Finish   | inherent color silver                                      |
| Cable gland  | brass, nickel-plated                                       |
| O-Ring   | silicone   |
| Seal insert  | silicone   |
| Casting compound                                   |  |
| Description  | EP 2122 Epoxy Putty<br>Compound must be ordered separately |
| Part number  | 70101827   |
| Mass   | 60 g   |
| Required amount per cable gland                    | 9 g  |
| Packaging units per delivery quantity cable glands | 1  |
| Cable glands per packaging unit casting compound   | 6  |
| Mass   |  |
| Individual component                               | approx. 186 g  |

Release date: 2025-05-19 Date of issue: 2025-05-19 Filename: 319415\_eng.pdf

## Technical Data

|  |  |
|--|--|
| Packing unit   | approx. 193 g  |
| <b>Dimensions</b>  |  |
| Width across corners (D2)                                      | 33 mm  |
| Diameter thru-hole (DT)  | 20 ... 20.2 mm   |
| Number of cores (CQ)   | max. 11  |
| Core cross section, single-core cable (DS)                     | 1.5 ... 9.5 mm   |
| Total core cross section, multi-core cables (DM)               | 1.5 ... 9.5 mm   |
| Total core cross section area (CC)                             | max. 70.9 mm <sup>2</sup>  |
| Length outside enclosure (H)                                   | 50.5 mm  |
| Width across flats (SW1)                                       | 30 mm  |
| Width across flats (SW2)                                       | 30 mm  |
| Width across flats (SW3)                                       | 30 mm  |
| Thread length (TL)   | 16 mm  |
| Total length (L)   | 66.5 mm  |
| <b>Tightening torque</b>                                       |  |
| Nut torque at enclosure (SW1)                                  | 60 Nm  |
| Nut torque 2 (SW2)   | 60 Nm  |
| Nut torque 3 (SW3)   | 35 Nm  |
| <b>Ambient conditions</b>                                      |  |
| Ambient temperature  | -60 ... 100 °C (-76 ... 212 °F)  |
| <b>Data for application in connection with hazardous areas</b> |  |
| EU-type examination certificate                                | CESI 18 ATEX 037X  |
| Marking  | ⊕ II 2 GD<br>Ex db IIC Gb<br>Ex eb IIC Gb<br>Ex tb IIIC Db   |
| <b>International approvals</b>                                 |  |
| IECEx approval   | IECEx CES 18.0030X   |
| UKCA approval  | CML 22 UKEX 1268X  |
| CCC approval   | 2021312313000456   |
| <b>Conformity</b>  |  |
| Degree of protection   | EN 60529   |
| CE marking   | 0102   |
| <b>General information</b>                                     |  |
| Delivery quantity  | 1  |
| Scope of delivery  | Cable gland<br>pair of gloves<br>Brief instructions  |
| Supplementary information                                      | EC-Type Examination Certificate, Statement of Conformity, Declaration of Conformity, Attestation of Conformity and instructions have to be observed where applicable. For information see <a href="http://www.pepperl-fuchs.com">www.pepperl-fuchs.com</a> . |