



## RFID Transponder

### IPC02-50 25pcs

- Battery-free code carrier
- 40 bit fix code
- Readable from both sides
- Mounting holes for simple installation
- Degree of protection IP68
- Packaging unit: 25 pieces

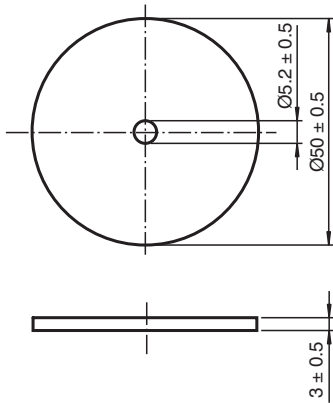
Code carrier



## Application

The transponder can be read from either side.

## Dimensions



## Technical Data

### General specifications

Operating frequency	125 kHz
Transfer rate	2 kBit/s

### Memory

Chip Type	EM4102 Unique (EM Microelectronic)
Read cycles	unlimited
Data retention period	> 10 years

### Directive conformity

Radio equipment	
Directive 2014/53/EU	EN 300330
RoHS	
Directive 2011/65/EU (RoHS)	IEC/EN 63000

### Standard conformity

Degree of protection	EN 60529
RFID	ISO/IEC 18000-2

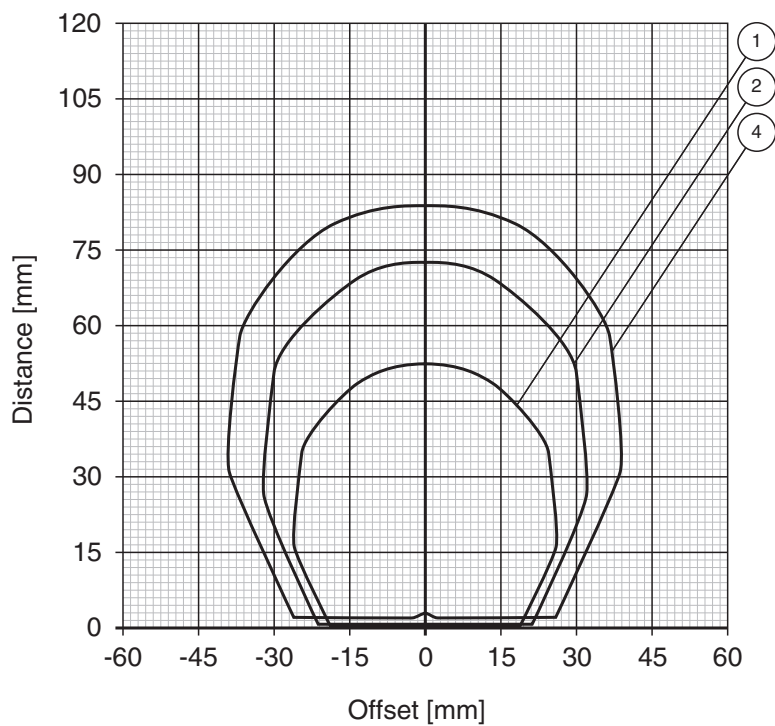
### Ambient conditions

Release date: 2024-06-14 Date of issue: 2024-06-14 Filename: 319701\_eng.pdf

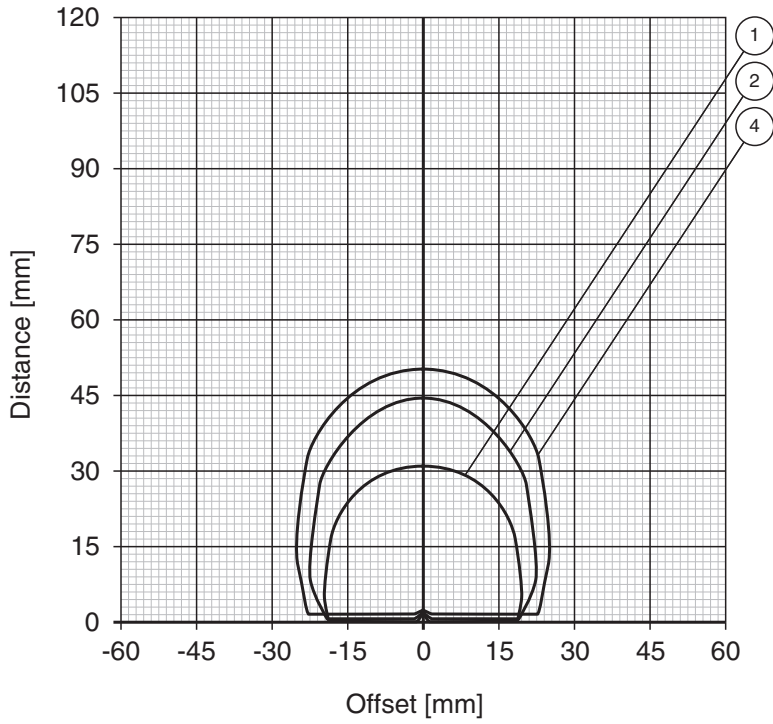
## Technical Data

Ambient temperature	-25 ... 85 °C (-13 ... 185 °F)
Storage temperature	-25 ... 85 °C (-13 ... 185 °F)
<b>Mechanical specifications</b>	
Degree of protection	IP68
Material	
Housing	PA 6
Installation	
On metal	yes
In air	yes
<b>Dimensions</b>	
Height	3 mm
Diameter	50 mm
Construction type	Cylindrical
Note	Packaging unit, 25-piece

Reading range in air IPC02-50..

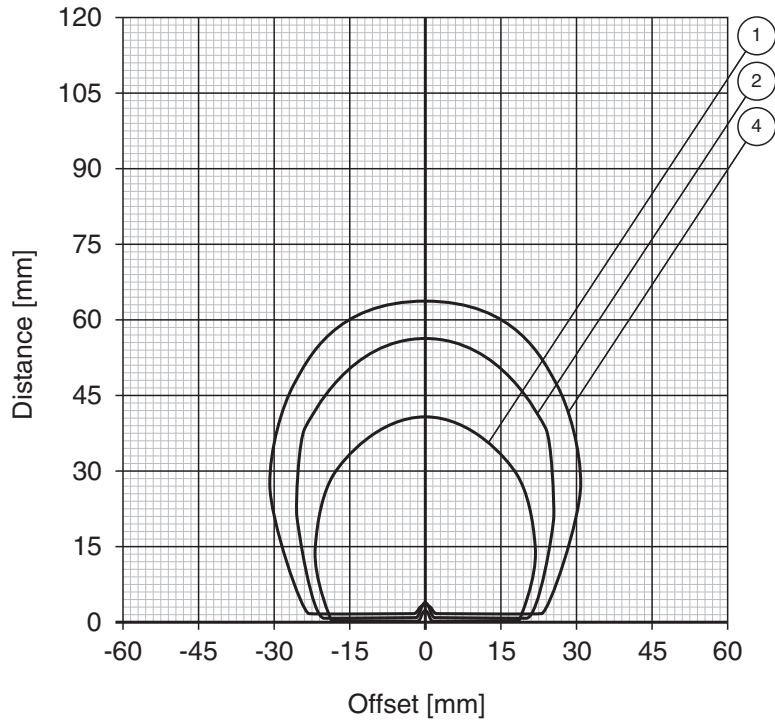


Reading range on aluminium IPC02-50..



Release date: 2024-06-14 Date of issue: 2024-06-14 Filename: 319701\_eng.pdf

## Reading range on steel IPC02-50..



- |               |             |              |              |
|---------------|-------------|--------------|--------------|
| ① IPH-18GM-V1 | ③ IPH-F61   | ⑤ IPH-FP-V1  | ⑦ IPT1-FP-V1 |
| ② IPH-30GM-V1 | ④ IPH-L2-V1 | ⑥ IPH-F15-V1 |              |