



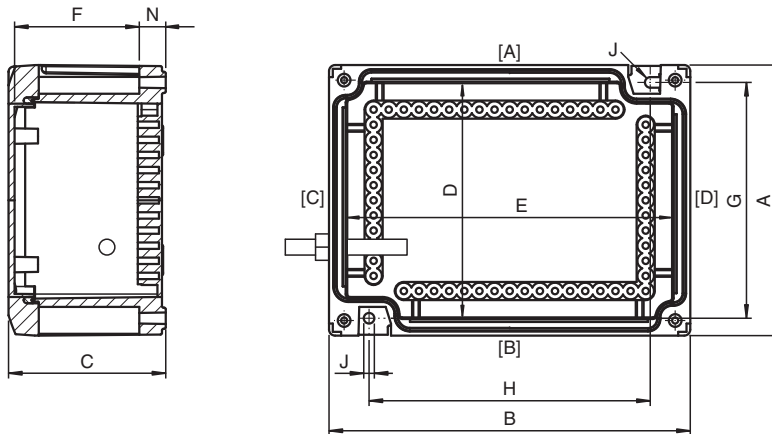
## Junction Box Ex e, Glass-Fiber Reinforced Polyester (GRP)

GR.TJE.13.18.09.B-S0003

- Carbon loaded, antistatic glass-fiber reinforced polyester
- Installation in Zone 1, Zone 2, Zone 21 and Zone 22
- Ex eb, Ex ia and Ex tb certified
- 129 mm x 179 mm x 91 mm
- Modern design with high impact resistance
- Easy installation due to easily accessible mounting points
- Easy cover opening without damage due to multiple pry points
- Bottom face cable glands polyamide, 4x M16 1x M20



### Dimensions



Dimension values see data table.

Image and drawing are generic for this device type and may deviate from the specific variant.

### Technical Data

Electrical specifications	
Operating voltage	690 V AC / DC max. for ATEX / IECEx 600 V AC / DC max. for North American approvals
Operating current	350 A max.
Mechanical specifications	
Enclosure cover	fully detachable
Cover fixing	
Screws	M6 stainless steel combination Phillips and slotted screw
Number	2
Tightening torque	3.5 Nm
Cover seal	foamed silicone
Degree of protection	IP66 , NEMA Type 4X
Cable entry	thru-holes
Cable entry face B	
M16 quantity	4

Release date: 2023-08-28 Date of issue: 2023-08-28 Filename: 320194\_eng.pdf

## Technical Data

M16 series	Cable Glands, Plastic
M16 type	CG.PIDS1.M16.*
M16 clamping range	4 ... 8 mm
M20 quantity	1
M20 series	Cable Glands, Plastic
M20 type	CG.PEDS1.M20.*
M20 clamping range	6 ... 12 mm
<b>Terminal assembly</b>	
Rail orientation	horizontal
Number of horizontal rails	1
Usable length per horizontal rail	101.5 mm
Terminal type	8 x WDU 2.5 5 x ZB4 2.5
Terminal capacity	2.5 mm <sup>2</sup>
Number of terminals per horizontal rail	8
<b>Material</b>	
Enclosure	carbon loaded, antistatic glass-fiber reinforced polyester (GRP)
Finish	inherent color black
Grounding plate	2 mm brass optional
Mass	approx. 1 kg
<b>Dimensions</b>	
External dimension (A)	129 mm
External dimension (B)	179 mm
External dimension (C)	91.5 mm
Internal dimension (D)	106 mm
Internal dimension (E)	156 mm
Internal dimension (F)	69 mm
Mounting holes distance (G)	106 mm
Mounting holes distance (H)	126 mm
Mounting holes diameter (J)	7 mm
Thickness of mounting brackets (N)	18 mm
Mounting	2 screws
Grounding	none as standard optional M6 or M8 internal/external brass nickel-plated grounding bolt optional M6 or M8 internal/external stainless steel grounding bolt
<b>Ambient conditions</b>	
Ambient temperature	-60 ... 85 °C (-76 ... 185 °F)
<b>Data for application in connection with hazardous areas</b>	
EU-type examination certificate	CML 17 ATEX 3255X
Marking	Ⓜ II 2 GD Ex eb IIC T* Gb Ex ia IIC T* Gb Ex tb IIC T** °C Db T6/T80 °C @ Ta +40 °C T5/T95 °C @ Ta +55 °C T4/T130 °C @ Ta +65 °C
<b>International approvals</b>	
IECEX approval	IECEX CML 17.0144X
UKCA approval	CML 21 UKEX 3896X
Further approvals	further on request
<b>Conformity</b>	
Degree of protection	EN60529 or UL 50 / UL 50E
CE marking	0102
<b>General information</b>	

Release date: 2023-08-28 Date of issue: 2023-08-28 Filename: 320194\_eng.pdf

## Technical Data

### Supplementary information

EC-Type Examination Certificate, Statement of Conformity, Declaration of Conformity, Attestation of Conformity and instructions have to be observed where applicable. For information see [www.pepperl-fuchs.com](http://www.pepperl-fuchs.com).

### Accessories

#### Optional accessories

M6 or M8 internal/external brass nickel-plated grounding bolts  
M6 or M8 internal/external stainless steel grounding bolts