

# Inductive sensor

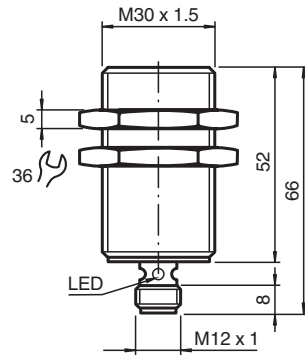
## NEB20-30GS50-E2-V1



- Increased operating distance
- 20 mm quasi flush
- With increased sealing, protection class IP68 / IP69K



### Dimensions



### Technical Data

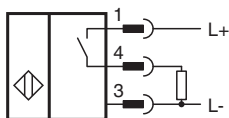
General specifications		
Switching function		Normally open (NO)
Output type		PNP
Rated operating distance	$s_n$	20 mm
Installation		quasi flush
Output polarity		DC
Assured operating distance	$s_a$	0 ... 16.2 mm
Reduction factor $r_{Al}$		0.35
Reduction factor $r_{Cu}$		0.25
Reduction factor $r_{304}$		0.72
Output type		3-wire
Nominal ratings		
Installation conditions		
A		6 mm
B		37 mm
C		66 mm
F		90 mm

Release date: 2025-01-07 Date of issue: 2025-01-07 Filename: 321679\_eng.pdf

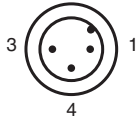
## Technical Data

Operating voltage	$U_B$	10 ... 30 V
Switching frequency	f	0 ... 120 Hz
Hysteresis	H	2 ... 16 % typ. 8 %
Reverse polarity protection		reverse polarity protected
Short-circuit protection		pulsing
Voltage drop	$U_d$	$\leq 2$ V
Operating current	$I_L$	0 ... 200 mA
Off-state current	$I_r$	$\leq 0.1$ mA
No-load supply current	$I_0$	$\leq 14$ mA
Time delay before availability	$t_v$	max. 18 ms
Switching state indicator		Multihole-LED, yellow
<b>Functional safety related parameters</b>		
MTTF <sub>d</sub>		1493 a
Mission Time (T <sub>M</sub> )		20 a
Diagnostic Coverage (DC)		0 %
<b>Compliance with standards and directives</b>		
Standard conformity		
Standards		EN IEC 60947-5-2
<b>Approvals and certificates</b>		
UL approval		cULus Listed, General Purpose, Class 2 Power Source
CCC approval		CCC approval / marking not required for products rated $\leq 36$ V
<b>Ambient conditions</b>		
Ambient temperature		-25 ... 70 °C (-13 ... 158 °F)
Storage temperature		-40 ... 85 °C (-40 ... 185 °F)
<b>Mechanical specifications</b>		
Connection type		Connector plug
Housing material		Stainless steel 1.4305 / AISI 303
Sensing face		PBT
Degree of protection		IP68 / IP69K
Connector		
Threading		M12 x 1
Number of pins		3
Mass		145 g
Dimensions		
Length		66 mm
Diameter		30 mm
<b>General information</b>		
Scope of delivery		2 self locking nuts in scope of delivery

## Connection



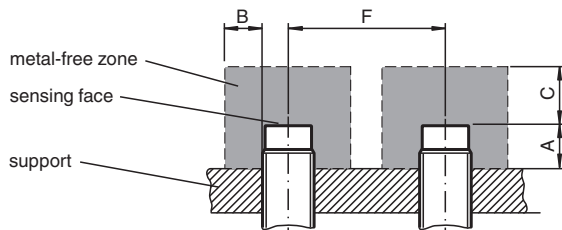
## Connection Assignment



Wire colors in accordance with EN 60947-5-2

1	BN	(brown)
3	BU	(blue)
4	BK	(black)

## Installation



Release date: 2025-01-07 Date of issue: 2025-01-07 Filename: 321679\_eng.pdf