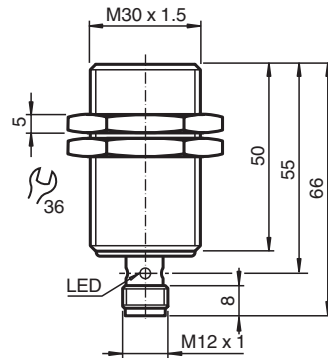


Inductive sensor NBB10-30GS50-Z4L-V1

- 10 mm flush
- 2-wire DC sensor with minimum off-state current
- Switching status indicator, yellow LED
- Stainless steel housing



Dimensions



Technical Data

General specifications

Switching function		Normally open (NO)
Output type		Two-wire with minimum off-state current
Rated operating distance	s_n	10 mm
Installation		flush
Output polarity		DC
Assured operating distance	s_a	0 ... 8.1 mm
Actual operating distance	s_r	9 ... 11 mm typ.
Reduction factor r_{AI}		0.32
Reduction factor r_{Cu}		0.3
Reduction factor r_{304}		0.66
Output type		2-wire

Nominal ratings

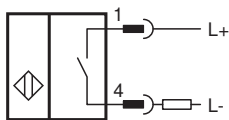
Operating voltage	U_B	4 ... 30 V
Switching frequency	f	0 ... 150 Hz
Hysteresis	H	1 ... 10 % typ. 5 %
Reverse polarity protection		yes

Release date: 2024-12-10 Date of issue: 2024-12-10 Filename: 323676-0017_eng.pdf

Technical Data

Short-circuit protection		pulsing
Voltage drop	U_d	$\leq 4 \text{ V}$
Operating current	I_L	2 ... 30 mA
Lowest operating current	I_m	2 mA
Off-state current	I_r	$\leq 200 \mu\text{A}$
Switching state indicator		Multihole-LED, yellow
Functional safety related parameters		
MTTF _d		1536 a
Mission Time (T _M)		20 a
Diagnostic Coverage (DC)		0 %
Compliance with standards and directives		
Standard conformity		
Standards		EN IEC 60947-5-2
Approvals and certificates		
UL approval		cULus Listed, General Purpose, Class 2 Power Source
CCC approval		CCC approval / marking not required for products rated $\leq 36 \text{ V}$
Ambient conditions		
Ambient temperature		-25 ... 70 °C (-13 ... 158 °F)
Storage temperature		-40 ... 85 °C (-40 ... 185 °F)
Mechanical specifications		
Connection type		Connector plug
Housing material		Stainless steel 1.4305 / AISI 303
Sensing face		PBT
Degree of protection		IP67
Connector		
Threading		M12 x 1
Number of pins		2
Mass		148 g
Dimensions		
Length		66 mm
Diameter		30 mm
General information		
Scope of delivery		2 self locking nuts in scope of delivery

Connection



Connection Assignment

