

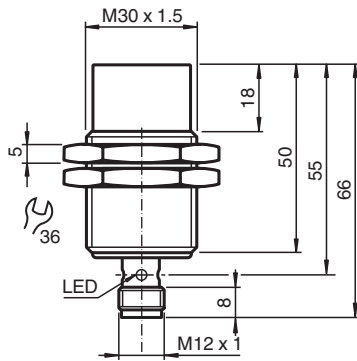
# Inductive sensor

## NBN15-30GS50-Z4L-V1

- 15 mm non-flush
- 2-wire DC sensor with minimum off-state current
- Switching status indicator, yellow LED
- Stainless steel housing



### Dimensions



### Technical Data

#### General specifications

Switching function		Normally open (NO)
Output type		Two-wire with minimum off-state current
Rated operating distance	$s_n$	15 mm
Installation		non-flush
Output polarity		DC
Assured operating distance	$s_a$	0 ... 12.2 mm
Actual operating distance	$s_r$	13.5 ... 16.5 mm typ.
Reduction factor $r_{Al}$		0.4
Reduction factor $r_{Cu}$		0.35
Reduction factor $r_{304}$		0.7
Output type		2-wire

#### Nominal ratings

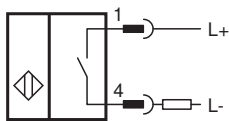
Operating voltage	$U_B$	4 ... 30 V
Switching frequency	$f$	0 ... 700 Hz
Hysteresis	$H$	1 ... 10 % typ. 5 %
Reverse polarity protection		yes
Short-circuit protection		pulsing
Voltage drop	$U_d$	$\leq 4$ V
Operating current	$I_L$	2 ... 30 mA

Release date: 2024-12-10 Date of issue: 2024-12-10 Filename: 323676-0019\_eng.pdf

## Technical Data

Lowest operating current	$I_m$	2 mA
Off-state current	$I_r$	$\leq 200 \mu\text{A}$
Switching state indicator		Multihole-LED, yellow
<b>Functional safety related parameters</b>		
MTTF <sub>d</sub>		1536 a
Mission Time (T <sub>M</sub> )		20 a
Diagnostic Coverage (DC)		0 %
<b>Compliance with standards and directives</b>		
Standard conformity		
Standards		EN IEC 60947-5-2
<b>Approvals and certificates</b>		
UL approval		cULus Listed, General Purpose, Class 2 Power Source
CCC approval		CCC approval / marking not required for products rated $\leq 36 \text{ V}$
<b>Ambient conditions</b>		
Ambient temperature		-25 ... 70 °C (-13 ... 158 °F)
Storage temperature		-40 ... 85 °C (-40 ... 185 °F)
<b>Mechanical specifications</b>		
Connection type		Connector plug
Housing material		Stainless steel 1.4305 / AISI 303
Sensing face		PBT
Degree of protection		IP67
Connector		
Threading		M12 x 1
Number of pins		2
Mass		133 g
Dimensions		
Length		66 mm
Diameter		30 mm
<b>General information</b>		
Scope of delivery		2 self locking nuts in scope of delivery

## Connection



## Connection Assignment

