



Stack light assembly mounting

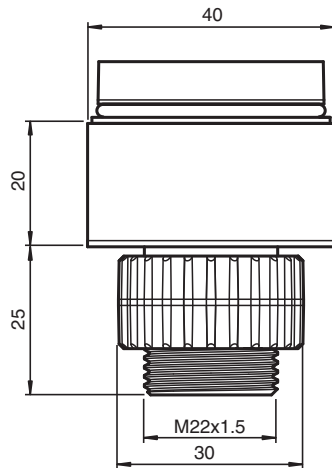
VAZ-MH-SHM-40MM

- Modular design
- 40-mm-series

Adapter for single-hole mounting



Dimensions



Technical Data

General specifications	
UL File Number	E223176
Color	grey
Ambient conditions	
Ambient temperature	-30 ... 60 °C (-22 ... 140 °F)
Mechanical specifications	
Degree of protection	IP66
Cable entry	Through hole
Material	PC
Cable	
Sheath diameter	max. 9 mm
Mass	30 g
Mounting	Single-hole mounting

Release date: 2022-06-30 Date of issue: 2022-06-30 Filename: 324830_eng.pdf