

Stack light assembly mounting

VAZ-MH-90°-BASE-40MM

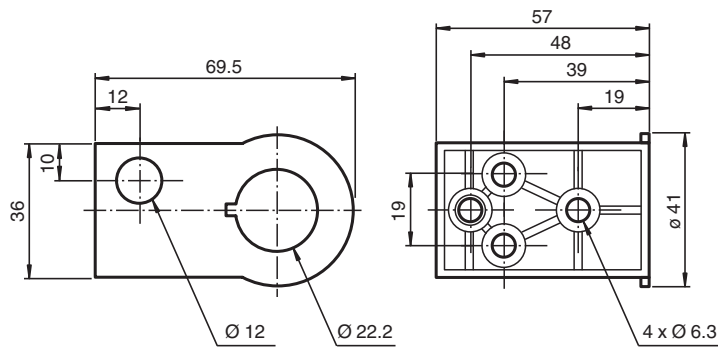


- Modular design
- 40-mm-series

Angle for profile rail mounting



Dimensions



Technical Data

General specifications

UL File Number E223176

Color grey

Ambient conditions

Ambient temperature -30 ... 60 °C (-22 ... 140 °F)

Mechanical specifications

Degree of protection IP66

Material PC/ABS

Mass 22 g

Release date: 2022-06-30 Date of issue: 2022-06-30 Filename: 324832_eng.pdf