

Stack light assembly mounting

VAZ-MH-90°-BASE1-40MM

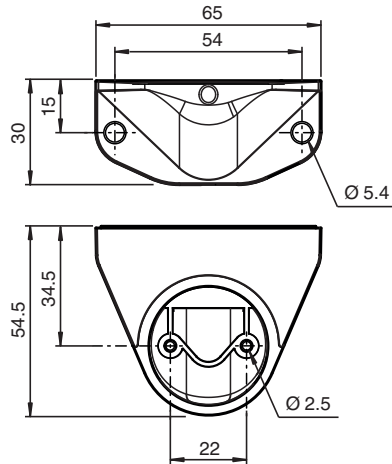


- Modular design
- 40-mm-series

Angle, hidden cable entry



Dimensions



Technical Data

General specifications	
UL File Number	E223176
Color	grey
Ambient conditions	
Ambient temperature	-30 ... 60 °C (-22 ... 140 °F)
Mechanical specifications	
Degree of protection	IP66
Material	PC/ABS
Mass	29 g

Release date: 2022-06-30 Date of issue: 2022-06-30 Filename: 324833_eng.pdf