

# Mounting aid

## OMH-LS610-05

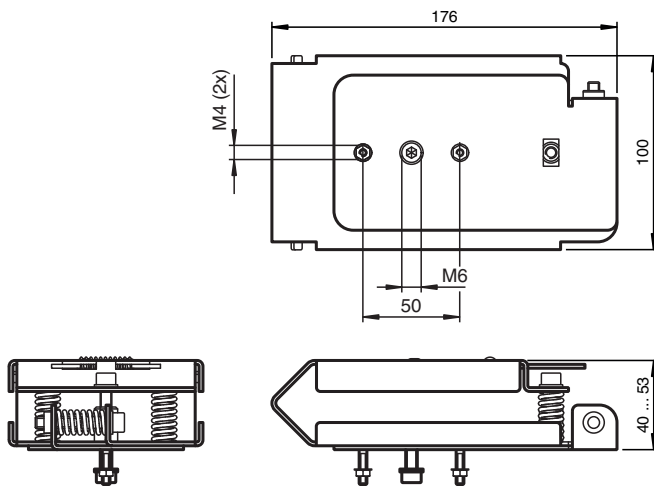


- Fixing with latching spring or latch fastener for easy installation
- Simple and fast mounting

Mounting bracket for optical data coupler and distance measurement devices



### Dimensions



### Technical Data

Mechanical specifications	
Material	Zinc plated steel , black
Mass	approx. 900 g
Suitable series	
Series	LS610 LS611 VDM100 LS680 , LS682

Release date: 2020-03-24 Date of issue: 2020-06-30 Filename: 324917\_eng.pdf