



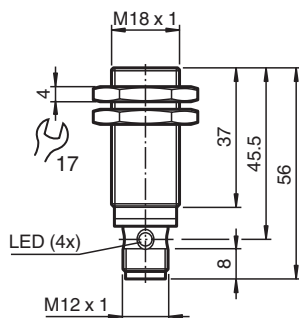
# Inductive sensor

## NBB5-18GM40-E3-V1

- 5 mm flush
- Extended temperature range  
-40 ... +85 °C
- Extended operating voltage range
- Flexible use with versatile mounting opportunities



### Dimensions



### Technical Data

#### General specifications

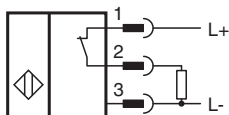
Switching function		Normally closed (NC)
Output type		PNP
Rated operating distance	$s_n$	5 mm
Installation		flush
Output polarity		DC
Assured operating distance	$s_a$	0 ... 4.05 mm
Actuating element		mild steel, e. g. 1.0037, SR235JR (formerly St37-2) 18 mm x 18 mm x 1 mm
Reduction factor $r_{Al}$		0.35
Reduction factor $r_{Cu}$		0.29
Reduction factor $r_{304}$		0.73
Reduction factor $r_{Brass}$		0.44
Output type		3-wire
<b>Nominal ratings</b>		
Operating voltage	$U_B$	6 ... 36 V
Switching frequency	$f$	0 ... 1950 Hz
Hysteresis	$H$	typ. 5 %
Reverse polarity protection		reverse polarity protected
Short-circuit protection		pulsing
Voltage drop	$U_d$	$\leq 1$ V
Operating current	$I_L$	0 ... 200 mA

Release date: 2025-07-03 Date of issue: 2025-07-03 Filename: 326161-0118\_eng.pdf

## Technical Data

Off-state current	$I_r$	max. 20 $\mu$ A
No-load supply current	$I_0$	$\leq$ 10 mA
Time delay before availability	$t_v$	$\leq$ 10 ms
Switching state indicator		Multihole-LED, yellow
<b>Functional safety related parameters</b>		
MTTF <sub>d</sub>		1610 a
Mission Time (T <sub>M</sub> )		20 a
Diagnostic Coverage (DC)		0 %
<b>Conformity</b>		
PWIS conformity		VDMA 24364-A1/B2/C1/T100°C-W
<b>Compliance with standards and directives</b>		
Standard conformity		
Standards		EN IEC 60947-5-2
<b>Approvals and certificates</b>		
Protection class		II
Rated insulation voltage	$U_i$	36 V
Rated impulse withstand voltage	$U_{imp}$	500 V
UL approval		cULus Listed, General Purpose, Class 2 Power Source
CCC approval		CCC approval / marking not required for products rated $\leq$ 36 V
Marine approval		DNVGL TAA00003AK
<b>Ambient conditions</b>		
Ambient temperature		-40 ... 85 °C (-40 ... 185 °F)
Storage temperature		-40 ... 85 °C (-40 ... 185 °F)
<b>Mechanical specifications</b>		
Connection type		Connector plug
Housing material		brass , white bronze coated
Sensing face		PBT , green
Degree of protection		IP65 / IP66 / IP67 / IP68
Connector		
Threading		M12 x 1
Number of pins		3
Mass		55 g
Dimensions		
Length		56 mm
Diameter		18 mm
Mounting		with nuts, M18
Tightening torque		$\leq$ 30 Nm
<b>General information</b>		
Scope of delivery		2 self locking nuts in scope of delivery

## Connection Assignment



## Connection Assignment

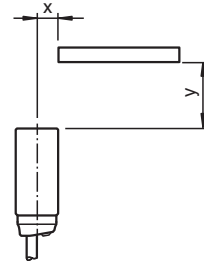
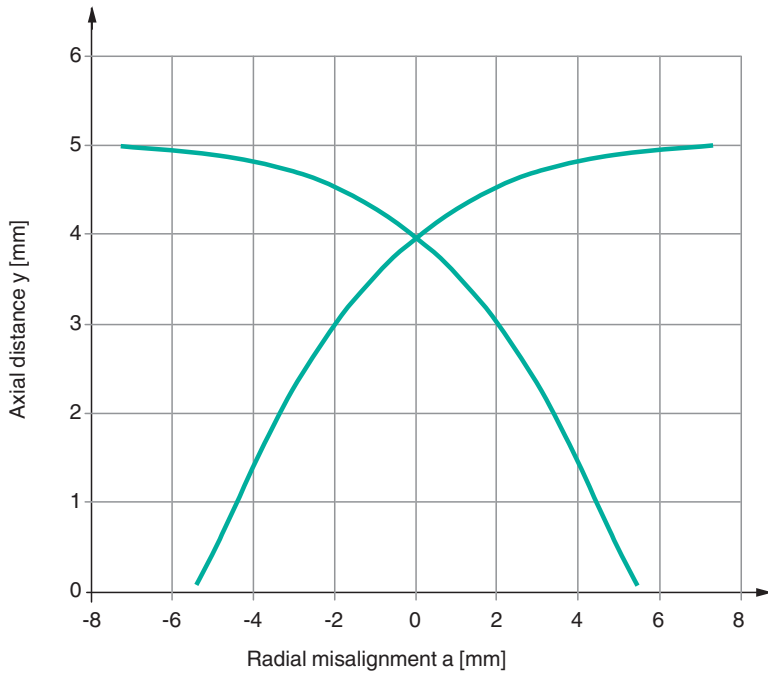


Wire colors in accordance with EN 60947-5-2

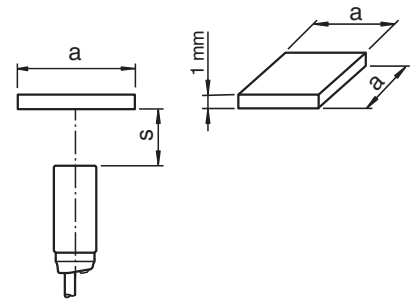
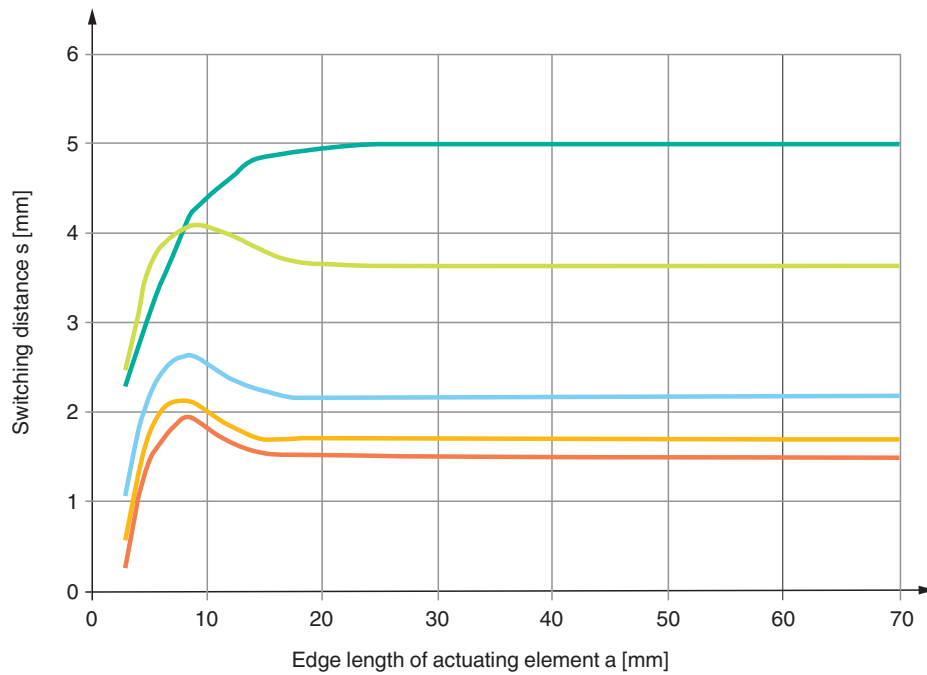
1		BN	(brown)
2		WH	(white)
3		BU	(blue)
4		BK	(black)

**Characteristic Curve**

**Actuation by radial approach (standard target)**



**Switching distance depending on the actuating element**



- Steel
- Stainless steel
- Brass
- Aluminum
- Copper

Release date: 2025-07-03 Date of issue: 2025-07-03 Filename: 326161-0118\_eng.pdf