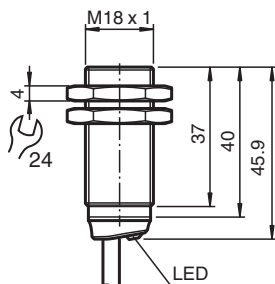


## Inductive sensor NBB5-18GM40-E1

- 5 mm flush
- Extended temperature range  
-40 ... +85 °C
- Extended operating voltage range
- Flexible use with versatile mounting opportunities



### Dimensions



### Technical Data

#### General specifications

|                              |       |   |
|------------------------------|-------|---|
| Switching function           |       | Normally closed (NC)  |
| Output type                  |       | NPN   |
| Rated operating distance     | $s_n$ | 5 mm  |
| Installation                 |       | flush   |
| Output polarity              |       | DC  |
| Assured operating distance   | $s_a$ | 0 ... 4.05 mm   |
| Actuating element            |       | mild steel, e. g. 1.0037, SR235JR (formerly St37-2)<br>18 mm x 18 mm x 1 mm |
| Reduction factor $r_{Al}$    |       | 0.35  |
| Reduction factor $r_{Cu}$    |       | 0.29  |
| Reduction factor $r_{304}$   |       | 0.73  |
| Reduction factor $r_{Brass}$ |       | 0.44  |
| Output type                  |       | 3-wire  |

#### Nominal ratings

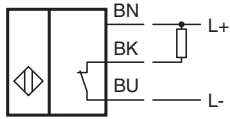
|                             |       |                            |
|-----------------------------|-------|----------------------------|
| Operating voltage           | $U_B$ | 6 ... 36 V                 |
| Switching frequency         | $f$   | 0 ... 1950 Hz              |
| Hysteresis                  | $H$   | typ. 5 %                   |
| Reverse polarity protection |       | reverse polarity protected |
| Short-circuit protection    |       | pulsing                    |
| Voltage drop                | $U_d$ | $\leq 1$ V                 |
| Operating current           | $I_L$ | 0 ... 200 mA               |
| Off-state current           | $I_r$ | max. 150 $\mu$ A           |

Release date: 2025-07-03 Date of issue: 2025-07-03 Filename: 326161-0119\_eng.pdf

## Technical Data

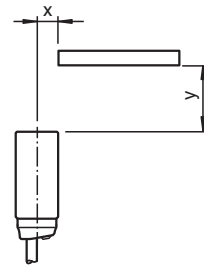
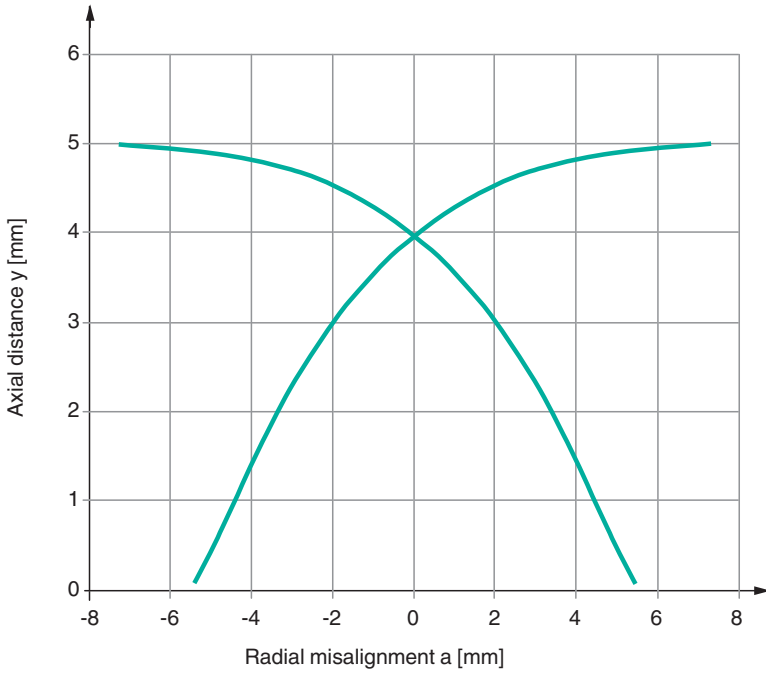
|   |           |  |
|---|-----------|--|
| No-load supply current                          | $I_0$     | $\leq 10 \text{ mA}$   |
| Time delay before availability                  | $t_v$     | $\leq 10 \text{ ms}$   |
| Switching state indicator                       |           | LED, yellow  |
| <b>Functional safety related parameters</b>     |           |  |
| MTTF <sub>d</sub>                               |           | 1610 a   |
| Mission Time (T <sub>M</sub> )                  |           | 20 a   |
| Diagnostic Coverage (DC)                        |           | 0 %  |
| <b>Conformity</b>                               |           |  |
| PWIS conformity                                 |           | VDMA 24364-C1/T100°C-W   |
| <b>Compliance with standards and directives</b> |           |  |
| Standard conformity                             |           |  |
| Standards                                       |           | EN IEC 60947-5-2   |
| <b>Approvals and certificates</b>               |           |  |
| Protection class                                |           | II   |
| Rated insulation voltage                        | $U_i$     | 36 V   |
| Rated impulse withstand voltage                 | $U_{imp}$ | 500 V  |
| UL approval                                     |           | cULus Listed, General Purpose, Class 2 Power Source                        |
| CCC approval                                    |           | CCC approval / marking not required for products rated $\leq 36 \text{ V}$ |
| Marine approval                                 |           | DNVGL TAA00003AK   |
| <b>Ambient conditions</b>                       |           |  |
| Ambient temperature                             |           | -40 ... 85 °C (-40 ... 185 °F)   |
| Storage temperature                             |           | -40 ... 85 °C (-40 ... 185 °F)   |
| <b>Mechanical specifications</b>                |           |  |
| Connection type                                 |           | cable  |
| Housing material                                |           | brass , white bronze coated  |
| Sensing face                                    |           | PBT , green  |
| Degree of protection                            |           | IP65 / IP66 / IP67 / IP68  |
| <b>Cable</b>                                    |           |  |
| Wire end ferrules                               |           | yes  |
| Cable diameter                                  |           | 4.3 mm $\pm$ 0.15 mm   |
| Bending radius                                  |           | > 10 x cable diameter  |
| Material  |           | PVC  |
| Color   |           | black  |
| Number of cores                                 |           | 3  |
| Core cross section                              |           | 0.34 mm <sup>2</sup>   |
| Length  | L         | 2 m  |
| Mass  |           | 105 g  |
| <b>Dimensions</b>                               |           |  |
| Length  |           | 46 mm  |
| Diameter  |           | 18 mm  |
| Mounting  |           | with nuts, M18   |
| Tightening torque                               |           | $\leq 30 \text{ Nm}$   |
| <b>General information</b>                      |           |  |
| Scope of delivery                               |           | 2 self locking nuts in scope of delivery                                   |

**Connection Assignment**

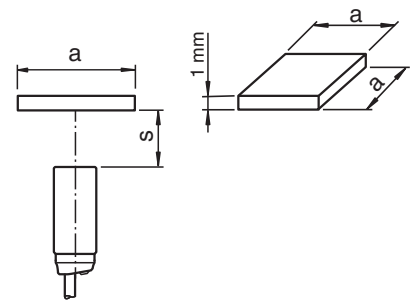
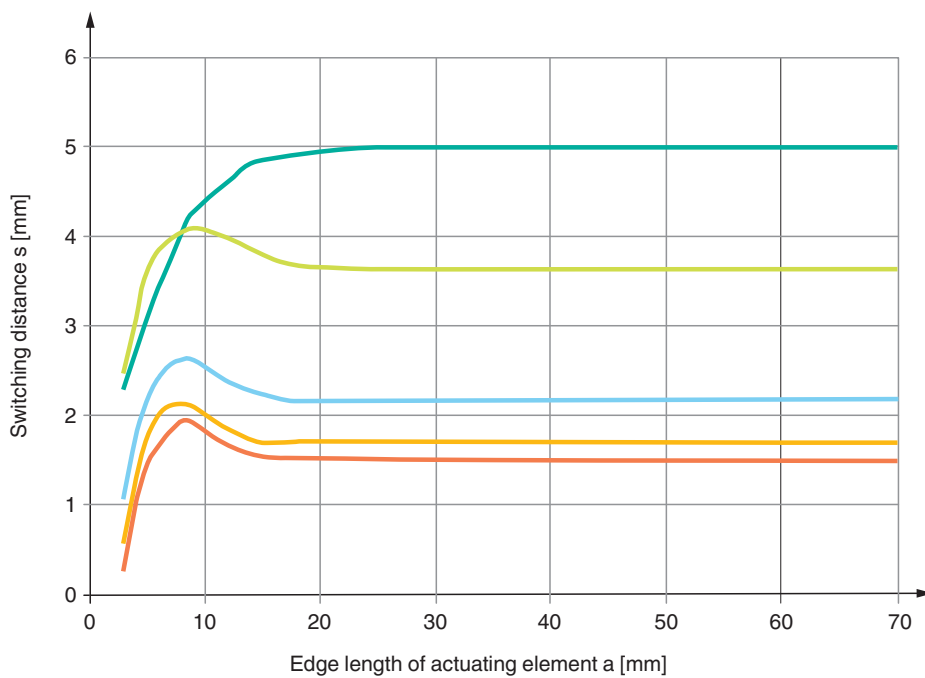


**Characteristic Curve**

**Actuation by radial approach (standard target)**



**Switching distance depending on the actuating element**



- Steel
- Stainless steel
- Brass
- Aluminum
- Copper

Release date: 2025-07-03 Date of issue: 2025-07-03 Filename: 326161-0119\_eng.pdf